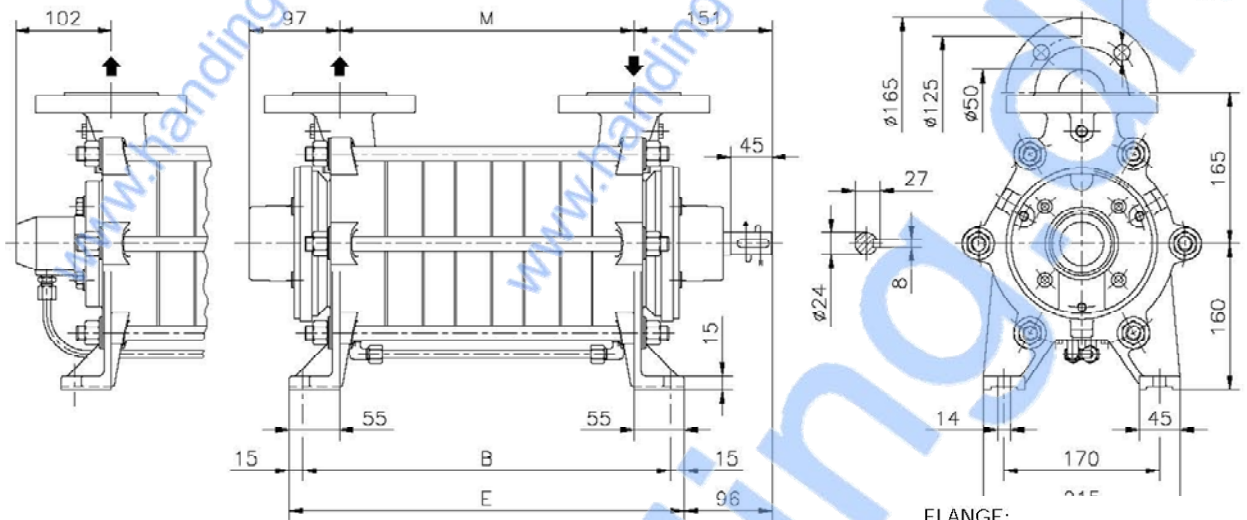


Versione ad ASSE NUDO **BARESHAFT** construction

Esecuzione /R  
Construction /R

Esecuzione /C Construction /C



FLANGE:  
Dimensioni secondo  
UNI 2223-2229 PN40

FLANGES:  
Dimensions to  
UNI 2223-2229 NP40 standards

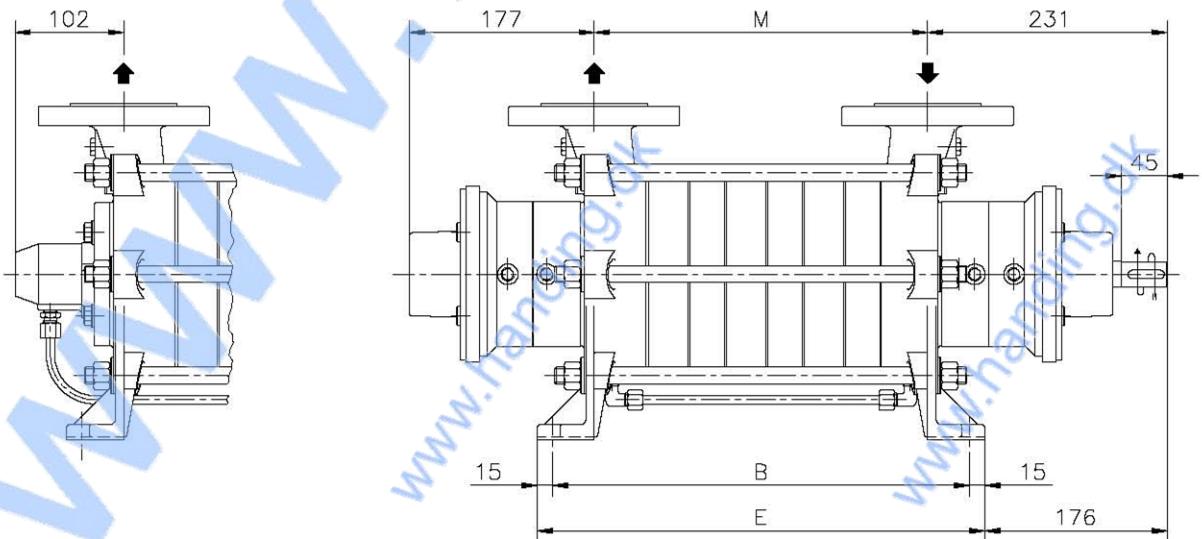
Disegno schematico. Dimensioni in mm con tolleranze secondo EN 735-1995. Pesi indicativi in Kg, riferiti a pompe in ghisa escluso motore, non impegnativi.

Schematic drawing. Dimensions in mm with tolerances to EN 735-1995 standards. Weights in Kgs, referred to pumps in cast iron without motor, not certified.

POMPA TIPO <i>Pump type</i>	Versione ad ASSE NUDO			<b>BARESHAFT</b> construction		
	DIMENSIONI <i>Dimensions</i>			/R - /C	/R/T	/C/T
	M	B	E	Peso <i>Weight</i>	Peso <i>Weight</i>	Peso <i>Weight</i>
TBH 501	171	251	281	39	47	55

Esecuzione /R/T  
Construction /R/T

Esecuzione /C/T Construction /C/T



**Handing ApS**  
Nordkranvej 5-9, Vassingerød  
DK - 3540 Lyngby  
Tel.: +45 48160166  
www.handing.dk

**pompetravaini**

**BT 501/3KO/A3**

Alle mål i mm.  
Measures in mm

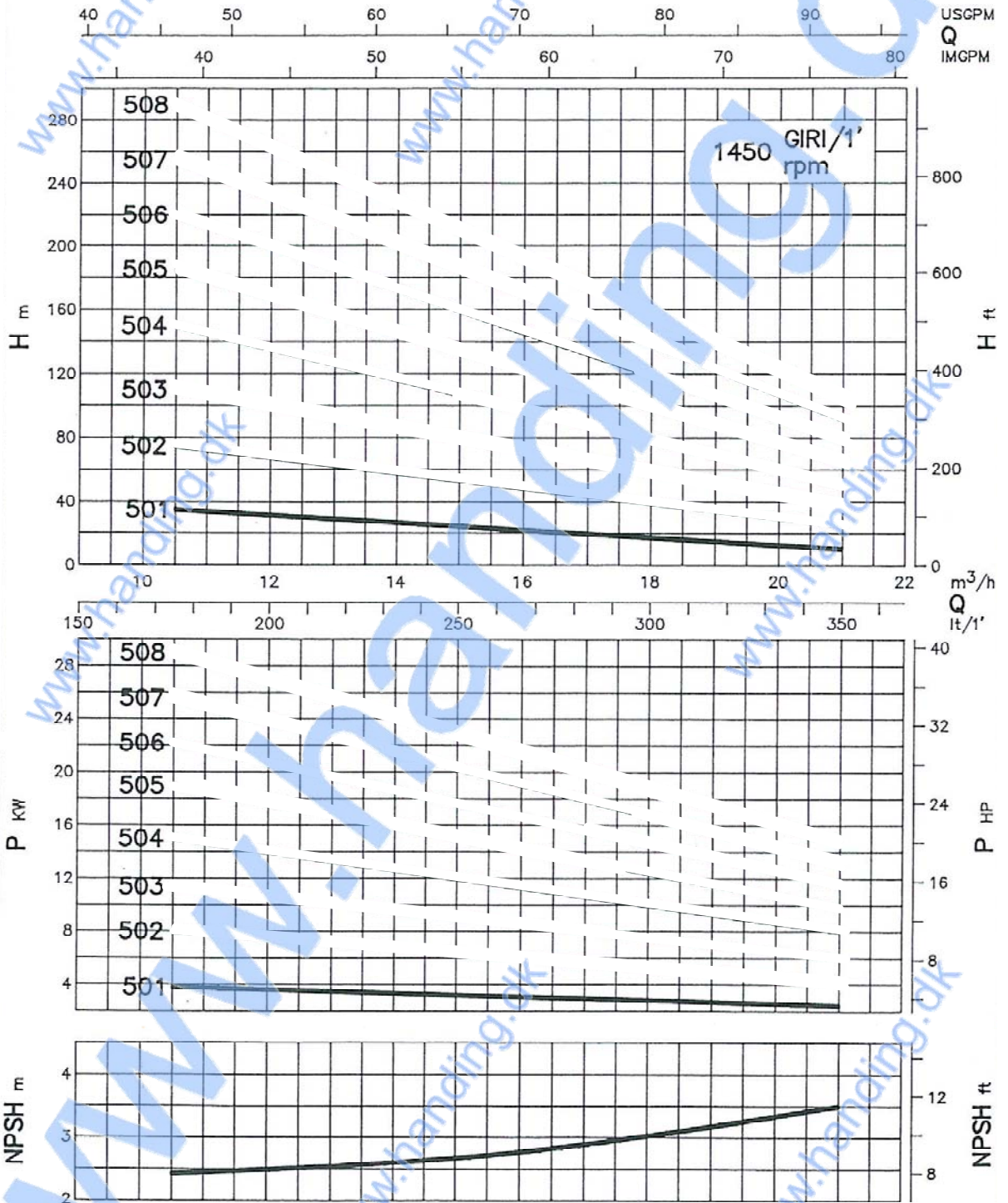
Dette dokument er vejledende  
Der tages forbehold for fejl.  
This document is only guiding.  
We make reservation for possible errors

Lager nr.  
**P233**

MATERIALI DI COSTRUZIONE E TOLLERANZE :  
Materials of construction and tolerances :

GHISA-BRONZO  
Cast Iron - Bronze  
ACC. INOX AISI 316  
S.S. AISI 316

Q-H=±5% P=+10%  
Q=±5% P=+10%  
H=-10%



Dati riferiti ad acqua a temperatura ambiente. Per condizioni di collaudo e tolleranze consultare la tabella specifica.  
These data are relevant to water at ambient temperature. For testing conditions and tolerances pls consult the relevant table.



**Handing ApS**  
Nordkranvej 5-9, Vassingerød  
DK - 3540 Lyngby  
Tel.: +45 48160166  
www.handing.dk

**Pompetravaini**

**BT 501/3KO/A3**

Dette dokument er vejledende  
Der tages forbehold for fejl.  
This document is only guiding.  
We make reservation for possible errors

Alle mål i mm.  
Measures in mm

Lager nr.  
**P233**