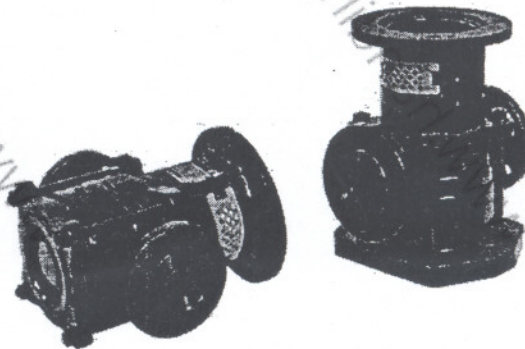


Technical data

Capacity:	from 0,2 up to 12 m ³ /h
Delivery head:	from 5 up to 70 m
Speed:	max. 1800 rpm for AKL/AKV 1201, 3101, 3601, 4101 max. 3000 rpm for AKL/AKV 1301, 3201, 3701, 4201
Temperature:	max. 120 °C (higher temperatures upon request)
Casing pressure:	PN 16
Shaft sealing:	standard mechanical seal
Flange connections:	DIN 2501 / PN 16
Sense of rotation:	clockwise (when seen from the drive end)



Application

Sterling SIHI side channel pumps of the series AKL / AKV in inline design have been constructed as space saving and easy to install pumping units with standard motor. The AKL / AKV pumps are used for problem-free and economically pumping of clear, turbid, aggressive, valuable, toxic or ill-smelling liquids that do not contain any abrasive particles.

The AKVA, AKVB, AKLA and AKLB pumps are capable of handling gas along with the medium while the AKVB is also self-priming.

The AKL / AKV pumps are used for application in the fields of for example:

- Chemical industry,
- Petro-Chemical,
- Plastics and rubber industry,
- Pharmaceutical industry,
- Food industry,
- Surface treatment and hardening,
- Air conditioning and refrigeration.

The space-saving and robust design with bearing pedestal or bearing bracket and the small quantity of high-quality material has made this inexpensive design a well-known pump in the above-mentioned industries.

Furthermore, the AKV/AKL pumps are very suitable wherever **standard chemical pumps** are oversized and are operating uneconomically.

Design

Horizontal or vertical, single stage side channel pumps with opposite arranged suction and discharge cover. The arranging of the suction and discharge branch in one casing part gives the possibility to change all parts subject to wear without detaching the pumps from the piping system. The program comprises 4 sizes at 1450 rpm and 4 sizes at 2900 rpm.

The applied hydraulic components are from our Modular Side Channel system (interchangeability of parts).

Construction

Casing pressure

Maximum 16 bar from -40 °C up to +120 °C.

Please observe

Technical rules and safety regulations:
Casing pressure = inlet pressure + delivery head at minimum pump capacity.

Position of branches

Horizontal suction and discharge branches on opposite sides of the pump.

Flanges

The flanges correspond to DIN EN 1092-2 / PN16.
Flange design to DIN 2512 with groove or drilled according to ANSI 150 or 300 lbs is basically possible.

Bearing

AKLA / AKVA: two grease lubricated ball bearings (design B)
AKLB / AKVB: one grease lubricated ball bearing, one liquid surrounded sleeve bearing (design A). The ball bearings are greased for life as per DIN 625.

Direction of rotation

Clockwise, when looking at the pump from the drive end.

Shaft sealing

The shaft can be sealed by a mechanical seal conform DIN EN 12756.



Handing ApS

Nordkranvej 5-9, Vassingerød
DK - 3540 Lyngø
Tel.: +45 48160166
www.handing.dk

SIHI AKVA 1201

0,55-0,65 kW

Dette dokument er vejledende.

Der tages forbehold for fejl.

This document is only guiding.

We make reservation for possible errors.

Tegn. Godk.Sj

Lager nr.

PC9049

Casing seal

The casing is sealed with soft Teflon.

Drive

By electric motors:
construction type AKV: series IM B5 or V 1

General comments

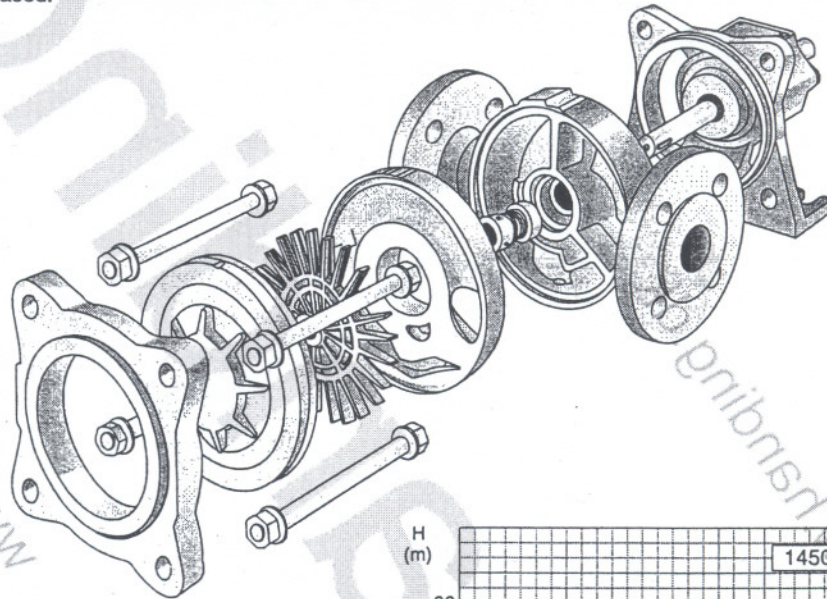
In case of greater delivery heads in heavy-duty operations, we recommend the series AEH side channel pump. These pumps are also available with magnetic coupling.

In order to get smaller NPSH values in heavy-duty operation we recommend the series CEH side channel pump. The CEH is also available with magnetic coupling.

Technical documentation about these pump series will be readily supplied on request.

Easy Maintenance

The arranging of the suction and discharge branch in one casing part, gives the possibility to change all wear parts without detaching the pumps from the piping system. After loosing 4 casing screws all parts in contact with the medium, including the mechanical seal, can be replaced.



Performance curves

General conditions

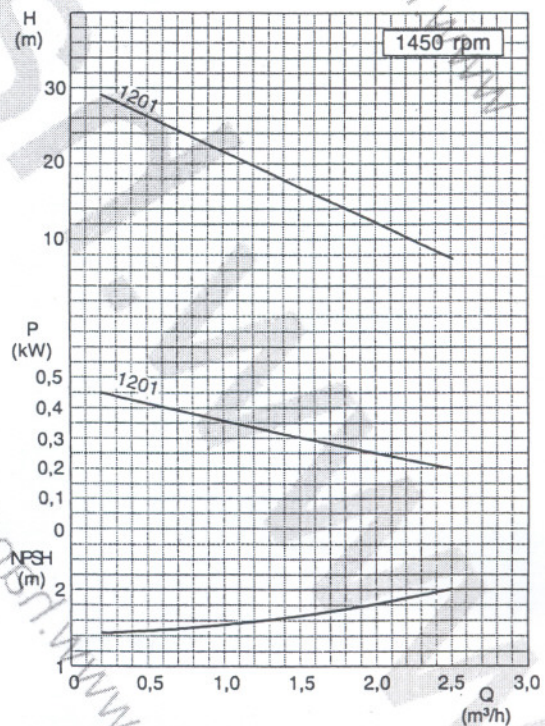
Liquid: Water
Density: 1 kg/dm³
Viscosity: 1 cSt
Temperature: 20 °C
Atmospheric pressure: 1013 mbar

Design tolerance

Capacity ± 5% - Delivery head ± 5% - Power + 10%

Measuring tolerance

According to ISO 5198



Handing ApS

Nordkranvej 5-9, Vassingerød
DK - 3540 Lyngø
Tel.: +45 48160166
www.handing.dk

SIHI AKVA 1201

0,55-0,65 kW

Dette dokument er vejledende.

Der tages forbehold for fejl.

This document is only guiding.

We make reservation for possible errors.

Tegn. Godk.Sj

Lager nr.

PC9049