

### Casing seal

The casing is sealed with soft Teflon.

### Drive

By electric motors:  
construction type AKV: series IM B5 or V 1  
construction type AKL: series IM B35.

### Easy Maintenance

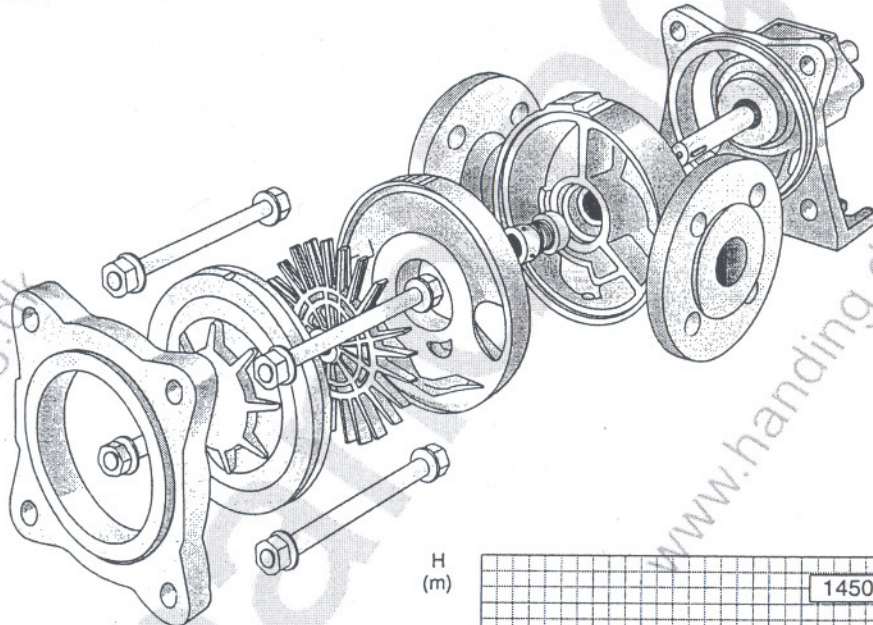
The arranging of the suction and discharge branch in one casing part, gives the possibility to change all wear parts without detaching the pumps from the piping system. After losing 4 casing screws all parts in contact with the medium, including the mechanical seal, can be replaced.

### General comments

In case of greater delivery heads in heavy-duty operations, we recommend the series AEH side channel pump. These pumps are also available with magnetic coupling.

In order to get smaller NPSH values in heavy-duty operation we recommend the series CEH side channel pump. The CEH is also available with magnetic coupling.

Technical documentation about these pump series will be readily supplied on request.



### Performance curves AKLB / AKVB

#### General conditions

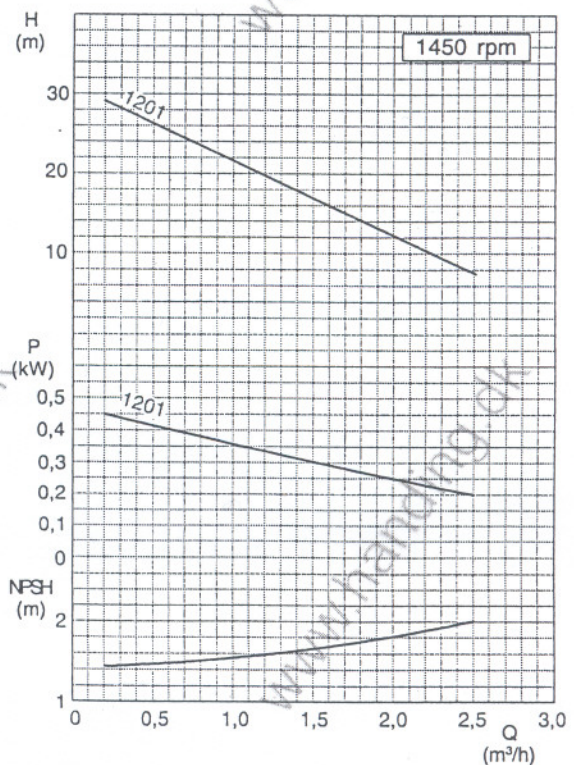
Liquid: Water  
Density: 1 kg/dm<sup>3</sup>  
Viscosity: 1 cSt  
Temperature: 20 °C  
Atmospheric pressure: 1013 mbar

#### Design tolerance

Capacity ± 5% - Delivery head ± 5% - Power + 10%

#### Measuring tolerance

According to ISO 5198



### Handing ApS

Nordkranvej 5-9, Vassingerød  
DK - 3540 Lyngø  
Tel.: +45 48160166  
www.handing.dk

### SIHI AKLA 1201 Pumpehoved

Dette dokument er vejledende.  
Der tages forbehold for fejl.  
This document is only guiding.  
We make reservation for possible errors.

Tegn. Godk.Sj

Lager nr.

**PC9145**