

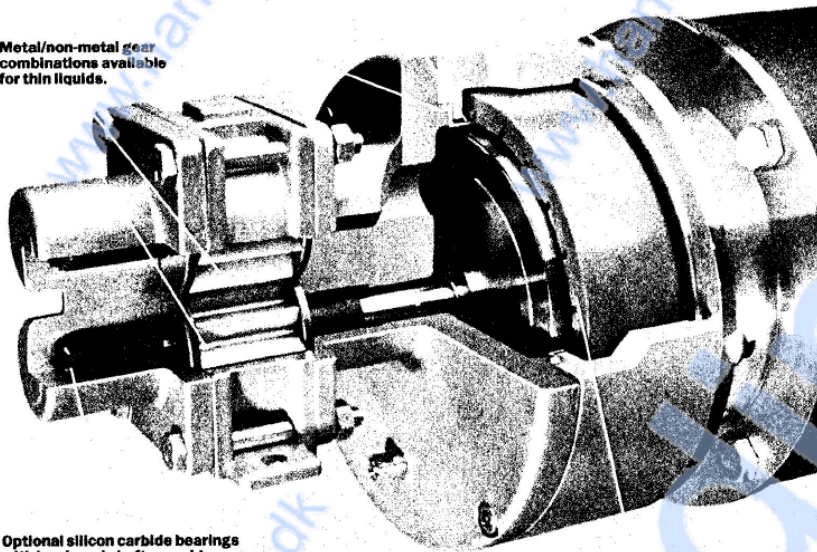
# Isochem Gear Pumps.

Teflon O-rings standard.

Alloy C Containment Can minimize heat rise and provides superior corrosion resistance.

Close-coupled mounting to NEMA C-flange or metric flanged motors eliminate alignment problems.

Metal/non-metal gear combinations available for thin liquids.



Optional silicon carbide bearings with hardened shafts provide extended life and longer service intervals.

Samarium cobalt permanent magnets provide high torque capability.

## Available in 316 stainless steel and Alloy C.

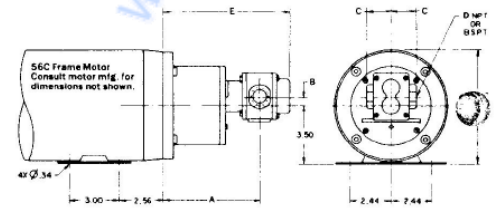
The numerous material combinations available make Isochem pumps ideal for continuous duty industrial applications over wide temperature, viscosity and pressure variations. These self-priming pumps yield a constant volume for a particular drive speed and provide linear pulsation-free flows. They depend only upon fluids pumped for cooling, and are designed with component materials which are inherently self-lubricating.

Like the Isochem Centrifugal pump, the Isochem Gear pump incorporates many standard features which allows us to deliver a product that is unsurpassed in quality by other seal-less pump manufacturers.

Isochem gear pumps are easy to maintain. All that is required to inspect the internal components is the removal of a single end plate. Therefore, these pumps can be repaired in the field in a matter of minutes—without removal from your system—because we use completely interchangeable quality-controlled parts.

## Specifications

Specification	GM-2	GM-4	GM-6	GM-8
Pump alloy construction	316 stainless steel and Alloy C			
Max. flow at 1750 RPM (GPM) @ PSI	1.5	3.0	10.0	22.0
Max. differential pressure—(PSI) plastic/plastic gears	100	100	100	50
	50	50	50	50
Max. casing pressure—(PSIG)	150	150	150	150
Temperature range (in °F) metal/metal gears	-200 to +400	-200 to +400	-200 to +400	-200 to +400
metal/carbon gears				
metal/plastic gears	0 to +150	0 to +150	0 to +150	0 to +150
plastic/plastic gears	0 to +100	0 to +100	0 to +100	0 to +100
Max. viscosity—SSU (CPS)	5000 (1000)	5000 (1000)	10,000 (2000)	10,000 (2000)
Min. viscosity—SSU (CPS) metal/metal gears	500 (100)	500 (100)	500 (100)	500 (100)
ceramic wear plates				
Max. rotational speed—(RPM) metal/metal gears	1750	1750	1750	1750
	1450	1450	1450	1450
Magnetic coupling torque limit @ 68°F (in.-lbs.)	55	55	162	162
Magnetic coupling torque limit @ 392°F (in.-lbs.)	37	37	106	106
Port size—NPT or BSPT	¼" or ½"	½"	¾"	1"
Can drain port size—(NPT)	⅛"	⅛"	⅛"	⅛"
Rotation direction	reversible	reversible	reversible	reversible
Motor frame sizes available (C face with foot)	56C, 140TC, 71, and 80	56C, 140TC, 71, and 80	56C, 140TC, 80, and 90L	56C, 140TC, 80, and 90L
Standard sealing material	Teflon®	Teflon	Teflon	Teflon
Pump and casing weight (in pounds)	16	16	28	30



All dimensions in inches

## Dimensional data.

Model pump	Pump dimensions in inches				
	A	B	C	D	E
GM-2	5.62	.50	1.44	¼"	7.23
GM-4	5.62	.50	1.44	½"	7.23
GM-6	6.14	.75	2.00	¾"	8.35
GM-8	6.64	.75	2.00	1"	9.35

Dimensions shown are for 56C motors.

## Handing ApS

Nordkranvej 5-9, Vassingerød  
DK - 3540 Lyngø  
Telefon: (+45) 4816 0166



**Handing ApS™**  
Nordkranvej 5-9, Vassingerød  
DK - 3540 Lyngø  
Tel.: +45 48160166  
www.handing.dk

## ECO Pulsafeed GM-8

Alle mål i mm.  
All measures in mm.

Dette dokument er vejledende.  
Der tages forbehold for fejl.  
This document is only guiding.  
We make reservation for possible errors.  
Copyright © By Handing ApS. All Rights Reserved.

Lager nr. /NNJ

**PT1060**