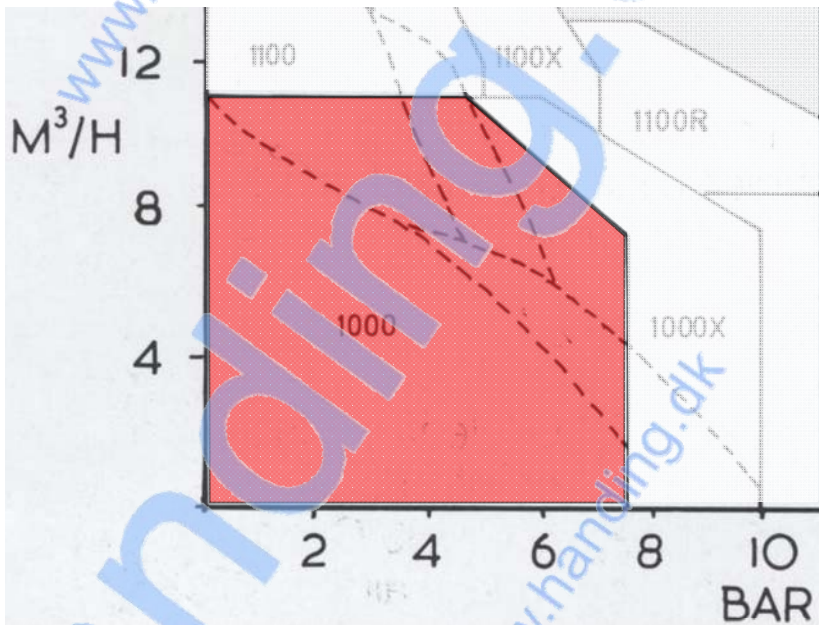
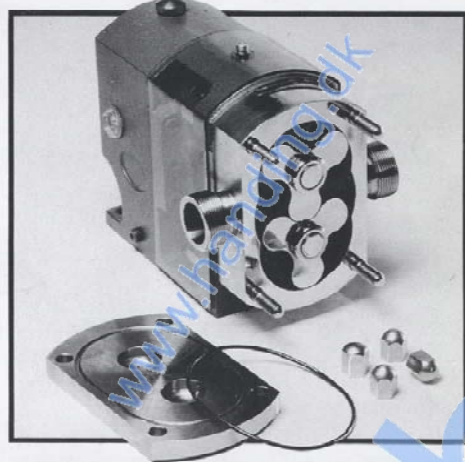


# POSITIVE DISPLACEMENT ROTARY PUMPS 1000/1100 SERIES

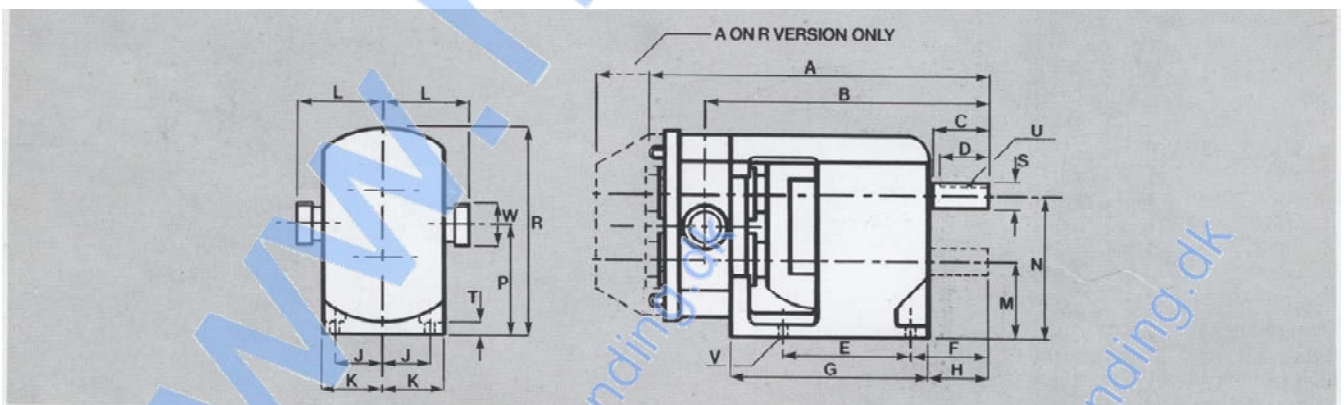
# ibex pumps



**Model**  
1015

**Connection**  
38 mm (1½")

**Max. Pressure**  
7.5 Bar



	A	B	C	D	E	F	G	H	J	K	L	M	N	P	R	S	T	U	V	W	Weight	Oil
1000 <sup>(1)</sup>	360	290	68	32	141.3	81	200	70	47.5	60	90 115	78	140	109	215	K6 24	13	8×4.0	10	1½" 2"	21Kg	-6lt

For built in diaphragm relief valve add to 'A' (1) 80 For piston type relief valve add (1) 80  
(2) 70 (2) 71

Cast iron gear housing + 5.5Kg



**Handing ApS™**  
Nordkranvej 5-9, Vassingerød  
DK - 3540 Lyngby  
Tel.: +45 48160166  
www.handing.dk

## IBEX MOG 1015 A

Dette dokument er vejledende.  
Der tages forbehold for fejl.  
This document is only guiding.  
We make reservation for possible errors.  
Copyright © By Handing ApS. All Rights Reserved.

Alle mål i mm.  
All measures in mm.

Lager nr. /TN

**PT1517**