



5 DC 2

Cuno 5 DC cartridge filter housings are constructed from 304L or 316L externally brushed stainless steel. A V-band clamp (with safety interlock) housing closure provides quick access to cartridges.

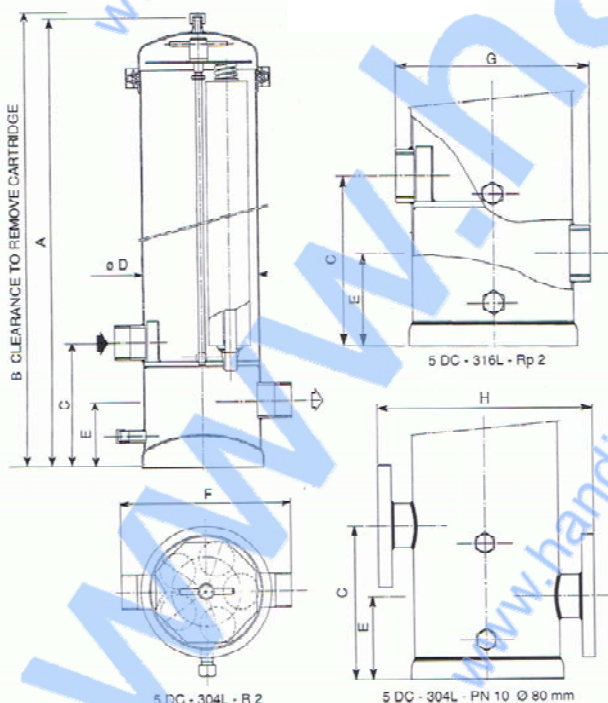
SPECIFICATIONS

SERIES	5 DC 316L	
Base	316L St.St.	
Cover	316L St.St.	
Internal parts	316L St.St.	
Cover clamp (quick release)	304L St.St.	
Cover O-Ring	Nitrile*	
Inlet and outlet connections	Rp 2	
Drain connections	R 1/2	
Vent connection	R 1/4	
Maximum working pressure	10 bar at 110°C	
	5DC2	
Number of cartridge centre posts	5	
Number of 248 mm cartridges per post	2	
Total cartridge (248 mm) number per housing	10	
Total internal volume (litres)	23	
Total net weight (kg)	18	

DIMENSIONS*

MODEL	5DC2		
A	804		
B	1215		
C	215		
D	203		
E	115		
F	300		
G	240		
H	-		

* Dimensions in millimetres.



CARTRIDGES DIMENSIONS

- CUNO standard with :
- double open end,
 - multiple length of 248 mm (9 3/4") up to 992 mm (39")

MAXIMUM ALLOWED FLOW RATE

The maximum flow rate depends on the cartridge type and size used for the application (see the cartridge specification data sheets).

The maximum flow rate must not exceed 23 m³/h.

CAUTION : Do not use for filtration of gas or compressed air.



Handing ApS
 Nordkranvej 5-9, Vassingerød
 DK - 3540 Lyngby
 Tel.: +45 48160166
 www.handing.dk

Cuno filter Type 5 DC 2

Alle mål i mm.
Measures in mm

Dette dokument er vejledende
 Der tages forbehold for fejl.
 This document is only guiding.
 We make reservation for possible errors

Lager nr.
SF105