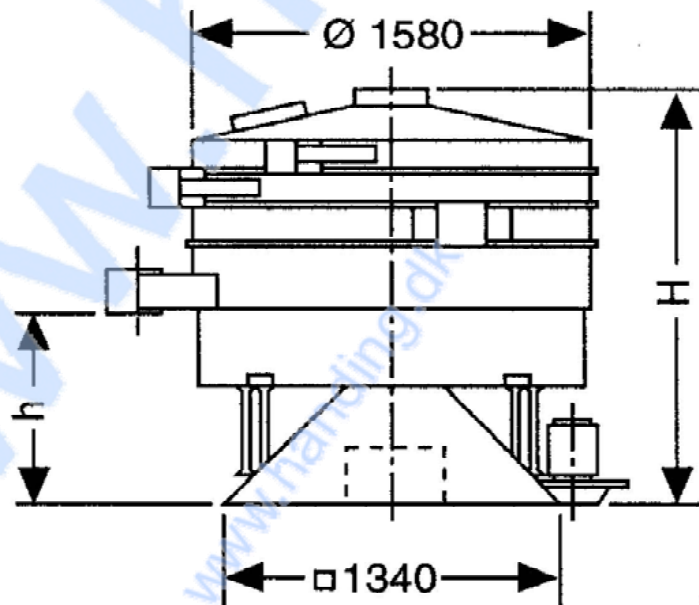


Typ	TSM 1600		
Screen surface/deck	1,85 m ² each		
Net space requirement	2,5 m ²		
Number of screen deck	1,2,3,4,5		
Screen aids			
Power consumption	4 kW		
Approx. dimensions in mm	H	h	Weight
Approx weight in kg* (2-deck)	1645	840	890

* Screen aids not taken into account here;
can be higher depending on the equipment.



Handing ApS™
Nordkranvej 5-9, Vassingerød
DK - 3540 Lyngø
Tel.: +45 48160166
www.handing.dk

Allgaier type TSM 1600/1

Dette dokument er vejledende.
Der tages forbehold for fejl.
This document is only guiding.
We make reservation for possible errors.
Copyright © By Handing ApS. All Rights Reserved.

Alle mål i mm.
All measures in mm.

Lager nr. /TN

SF203

