



Funktionsbeschreibung, Description of operation, Fonctionnement  
Descripcion del funcionamiento, Descrizione del funzionamento

# Technical Data TU 60

### Output:

Up to 80 tubes/min.,  
depending on the product  
and tube size.

### Size Range:

Tube diameter 11-50 mm  
Tube body 52-200 mm  
Overall tube length with cap:  
65-230 mm  
(special version up to  
250 mm)  
Dosing 3-350 ml

### Drive:

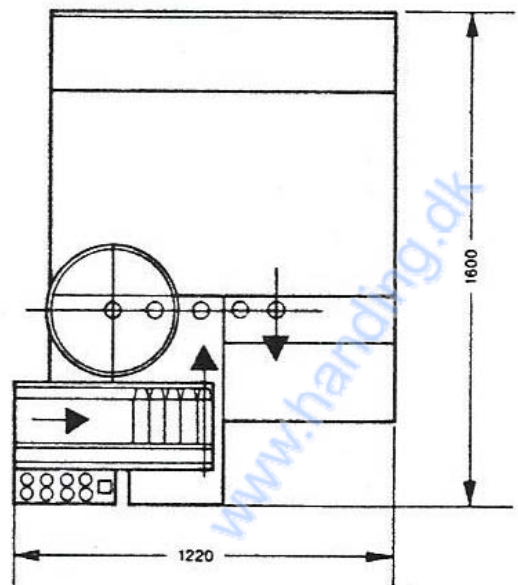
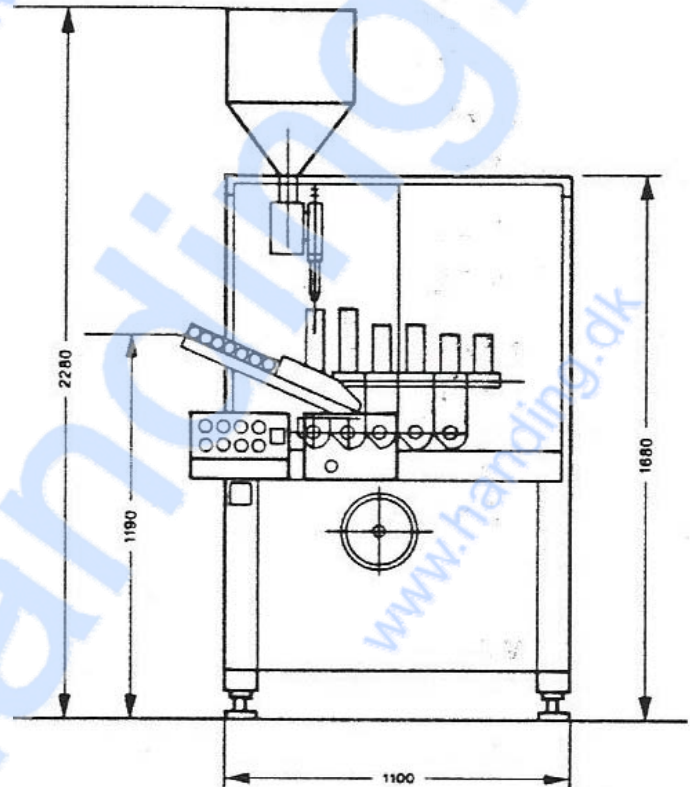
Infinitely adjustable ratio 1:3

### Service Connections and Requirements:

3-phase mains supply  
380/220 V, 50-60 Hz  
Mains connection 1.5 kW  
Agitator 0.5 kW  
Hopper heater 3.5 kW  
Sealing 1.6 kW  
Air supply for  
tube cleaning and  
thermal sealing 8 NL/min  
at 6 bar

### Weight:

approx. 1020 kg



**Handing ApS™**  
Nordkranvej 5-9, Vassingerød  
DK - 3540 Lyngge  
Tel.: +45 48160166  
www.handing.dk

## IWKA type TU 60

Dette dokument er vejledende.  
Der tages forbehold for fejl.  
This document is only guiding.  
We make reservation for possible errors.  
Copyright © By Handing ApS. All Rights Reserved.

Alle mål i mm.  
All measures in mm.

Lager nr. /TN

**F959**