

**SSP  
Pumps**

#### User Benefits

- High efficiency
- Low energy consumption
- Compact size
- Robust construction
- Smooth flow
- Reversible operation
- Low shear pumping
- Minimal pumped media agitation
- Hygienic design
- Easy maintenance

# Series S



## Rotary Lobe Pumps for all applications

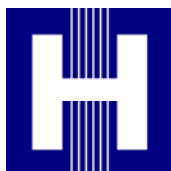
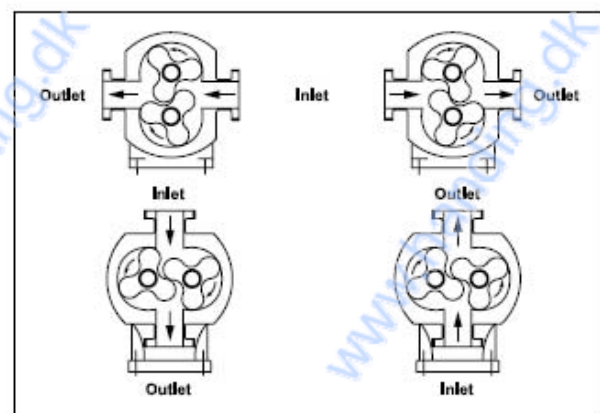
SSP brand Series S stainless steel rotary lobe pumps, from Alfa Laval Pumps Limited, operate at the heart of process industries worldwide. Series S pumps fulfill a wide range of application requirements throughout Chemical, Food, Pharmaceutical and other related industries.

Handling from low to high viscosity pumped media the characteristic smooth, low shear pumping action is ideal for delicate media and where organic solids in suspension, creams, froths, gels, emulsions and mixtures are to be pumped.

Series S pumps are suitable for CIP (Cleaning In Place) and conform to USA 3A Sanitary Standard.

#### Operation

The positive displacement of the Series S pump is provided by non-contacting, counter rotating tri-lobe or bi-lobe rotors within a fully swept pump chamber. All Series S pumps are capable of bi-rotational flow without modification.



**Handing ApS™**  
 Nordkranvej 5-9, Vassingerød  
 DK - 3540 Lyngø  
 Tel.: +45 48160166  
 www.handing.dk

**SSP S6-0353-H7**

Dette dokument er vejledende.  
 Der tages forbehold for fejl.  
 This document is only guiding.  
 We make reservation for possible errors.

Copyright © By Handing ApS. All Rights Reserved.

Alle mål i mm.  
 All measures in mm.

Lager nr. /LH

**PT4005**

### Performance

The Series S pump range has twelve pump head displacements ranging from 1.4 gallons/100 revs to 93.26 gallons/100 revs.

- Flow rates up to 466 gpm
- Differential pressures up to 290 psi
- Port sizes from 1" to 6" diameter

**High Volumetric Efficiency** - The Series S pump offers high efficiency transfer of low, medium and high viscosity pumped media. This important aspect of performance is achieved by maintaining high accuracy and repeatability of component part manufacture, thereby maximizing shaft rigidity and minimizing the effects of thermal expansion within the pump gearbox. This combination allows the optimum pump head geometry to be achieved which, in turn, maximizes volumetric efficiency.

**Low NPSH** - The Series S pump with standard port connections has full through-bore inlet and outlet ports to International Standards. This reduces inlet and outlet port losses, thereby lowering NPSH requirements.

### Basic Design

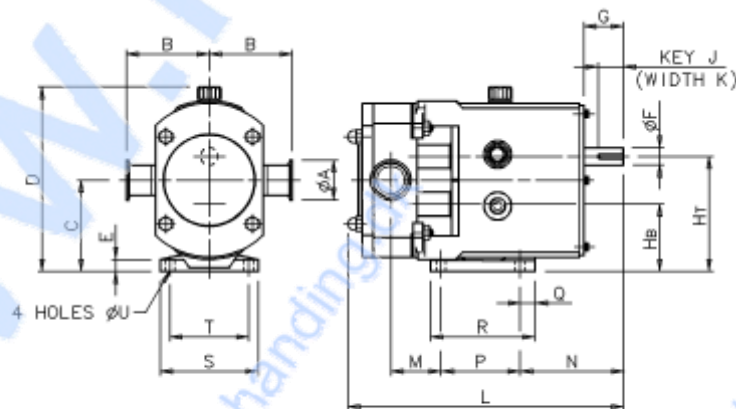
The Series S pump with its modular design giving a choice of 44 models, provides for greater application flexibility and cost effective easy maintenance.

**Pumphead** - All metallic pumped media wetted components are manufactured in 316L type stainless steel. The Series S in standard specification has tri-lobe rotors available in three temperature ratings, allowing the pump to be operated at maximum temperatures of 158°F, 266°F and 392°F for both process and CIP.

**Shafts** - 316L Stainless steel shafts are used for pressures up to 145 psi. Higher pressures up to 290 psi are attained by the use of high strength duplex stainless steel.

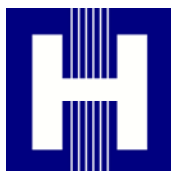
**Gearbox** - The Series S pump has a robust cast iron gearbox with a universal design for models S1 to S4. This gives the flexibility of mounting pumps with the inlet and outlet ports in either a vertical or horizontal plane by changing the foot and its position. The Series S models S5 and S6 have a choice of two dedicated gearbox castings, which allows the inlet and outlet ports to be in either the vertical or horizontal plane.

Pump Model	Inlet and Outlet Connections		Displacement US gal/100 revs	Differential Pressure psi	Maximum Speed rev/min	Weight Bare Shaft Pump	
	Standard Port Connection Size inches	Enlarged Port Connection Size inches				Horizontal Porting (H) lb	Vertical Porting (V) lb
	S6-0353-H07	4.00				6.00	93.26



Horizontally ported (H)  
All dimensions in inches, unless otherwise noted

Pump Model	A	B	C	D	E	F (mm)	G	HB	HT	J (mm)	K (mm)	L	M	N	P	Q	R	S	T	U	
S6-0353-H07 or H14	4.00	6.00	7.48	8.86	16.89	0.74	48	4.33	6.10	11.61	70	14	30.59	5.51	10.47	10.24	1.57	16.97	8.96	7.48	0.55



**Handing ApS™**  
Nordkranvej 5-9, Vassingerød  
DK - 3540 Lyngø  
Tel.: +45 48160166  
www.handing.dk

## SSP S6-0353-H7

Dette dokument er vejledende.  
Der tages forbehold for fejl.  
This document is only guiding.  
We make reservation for possible errors.  
Copyright © By Handing ApS. All Rights Reserved.

Alle mål i mm.  
All measures in mm.

Lager nr. /LH

**PT4005**