

## Overview of functions

## Performance range, DME

0-48 l/h



### Capacity control, see page 7

- Internal stroke-frequency control
- Internal stroke-speed control

### Control panel, see page 8

- Capacity setting in litres, millilitres or US gallons
- Display with background light and soft-touch buttons
- Easy set-up menu with language options
- On/off button
- Maximum capacity button (priming)
- Green indicator light for operating indication
- Red indicator light for fault indication
- Control panel lock
- Side-fitted as an option

### Operating modes, see page 12

- Manual control
- Pulse control
- Analog 0/4-20 mA control
- Timer-based batch control
- Pulse-based batch control

### Functions, see page 16

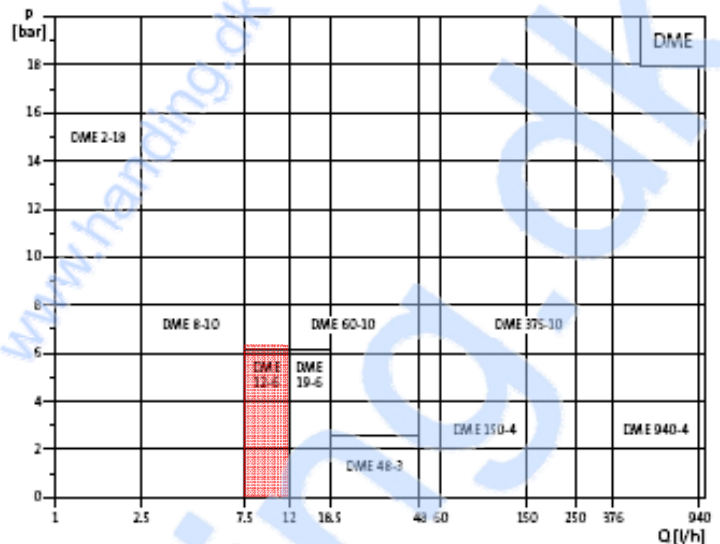
- Dosing monitoring
- Dual-level control
- Calibration of pump to actual installation
- Anti-cavitation (reduced suction speed)
- Capacity limitation
- Counters for strokes, operating hours and power on/off
- Fieldbus communication
- Overload protection
- Error message in display
- Leakage sensor
- Dosing signal output

### Power supply, page 16

- Switch-mode power supply

### Inputs/outputs, see page 18

- Input for pulse control
- Input for analog 0/4-20 mA control
- Input for dual-level control
- Input for external start/stop
- Alarm relay output (variant AR)
- Dosing output
- Input for external on/off switch



## DME and DMS (0-48 l/h) with front-fitted control panel

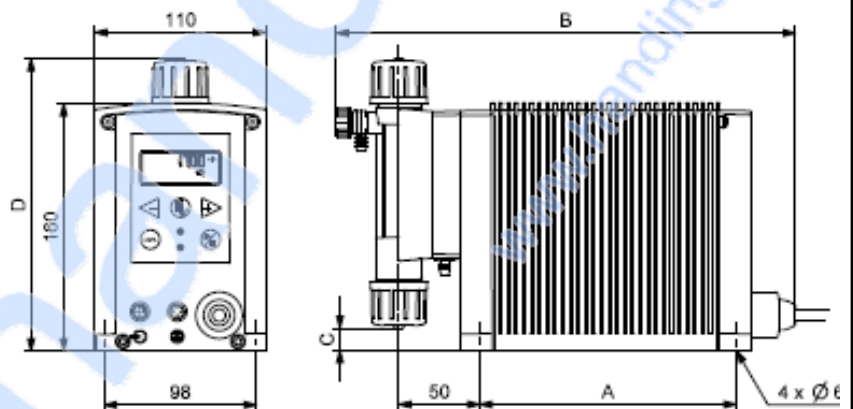


Fig. 22 DME and DMS (0-48 l/h) with front-fitted control panel

Pump type	Dimensions [mm]			
	DME 2 DMS 2	DMS 4	DME 8 DMS 8	DME 12 DMS 12
A			137	
B			345	
C			36	
D			168	



**Handing ApS™**  
 Nordkranvej 5-9, Vassingerød  
 DK - 3540 Lyngby  
 Tel.: +45 48160166  
 www.handing.dk

## Grundfoss doseringspumpe DME 12-6AP-PP

Dette dokument er vejledende.  
 Der tages forbehold for fejl.  
 This document is only guiding.  
 We make reservation for possible errors.

Copyright © By Handing ApS. All Rights Reserved.

Alle mål i mm.  
 All measures in mm.

Lager nr. /LH

**P320**