

# YTRON -Y



MOTOR  
 YTRON Dr. Karg GmbH  
 D-7151 Affalterbach  
 Type Y 3,4-8,4 / T8-III  
 Masch.-Nr. 90117786  
 Motor-Nr. 1794 632  
 A 6,2 / 7,7  
 Cos φ 0,72 / 0,88  
 Hz 50  
 Motor Type ANGA-132SB-84M  
 Volt Δ/YY 380  
 kW 2,3 / 3,4  
 O/min 715 / 1435



## Contents

Contents		Dissolving / dispersing of "easy to wet" powders	Dissolving / dispersing of "difficult to wet" powders	Homogenous mixing of liquids	Pre-emulsifying	Emulsifying	Homogenising	In-line mixing / suspending	Batch mixing / suspending	Dispersing	Aerating	STRETCHING®
YTRON-Y	3	○	○	●	●	○	○	○	●	○		

● Perfectly suitable      ○ Suitable in most cases

### Advantages of YTRON -Y Jet Mixing Turbine

- The YTRON-Y mixing head creates a directed jet stream, without rotation, into the body of the product, without creating a vortex
- The rotor-stator principle, in combination with the integrated flow deflectors, prevents any rotational stream being formed
- The robust construction means that it does not require bearings or seals in the immersed part and therefore involves no hygienic risk
- The sealing of the shaft is selected according to the requirements. A radial seal ring, single or double acting mechanical seal (-1 to 10 bar) or an aseptic mechanical seal, flushed with condensate, are available
- Drive motor from 0,25 to 55 kW are available in the standard motor program
- The modular system allows the choice of the best mixing technology for each individual application



**Handing ApS™**  
 Nordkranvej 5-9, Vassingerød  
 DK - 3540 Lyngby  
 Tel.: +45 48160166  
 www.handing.dk

## YTRON Y

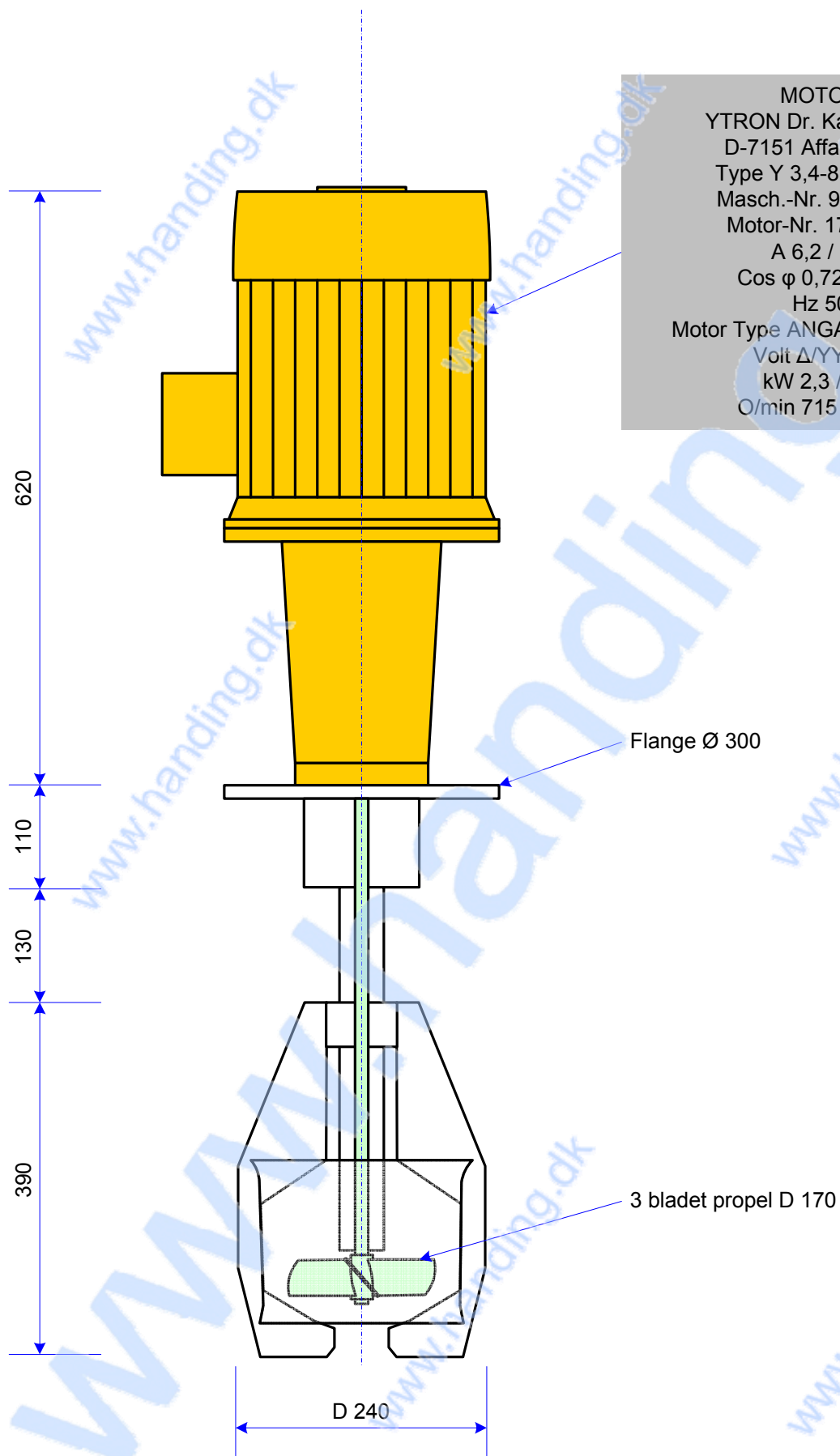
Dette dokument er vejledende.  
 Der tages forbehold for fejl.  
 This document is only guiding.  
 We make reservation for possible errors.

Copyright © By Handing ApS. All Rights Reserved.

Alle mål i mm.  
 All measures in mm.

Lager nr. /LH

**R1114**



MOTOR  
 YTRON Dr. Karg GmbH  
 D-7151 Affalterbach  
 Type Y 3,4-8,4 / T8-III  
 Masch.-Nr. 90117786  
 Motor-Nr. 1794 632  
 A 6,2 / 7,7  
 Cos φ 0,72 / 0,88  
 Hz 50  
 Motor Type ANGA-132SB-84M  
 Volt Δ/YY 380  
 kW 2,3 / 3,4  
 O/min 715 / 1435



**Handing ApS™**  
 Nordkranvej 5-9, Vassingerød  
 DK - 3540 Lyngø  
 Tel.: +45 48160166  
 www.handing.dk

**YTRON Y**

Dette dokument er vejledende.  
 Der tages forbehold for fejl.  
 This document is only guiding.  
 We make reservation for possible errors.  
 Copyright © By Handing ApS. All Rights Reserved.

Alle mål i mm.  
 All measures in mm.

Lager nr. **R1114** /LH