

Alfa Laval

Volumetric flow

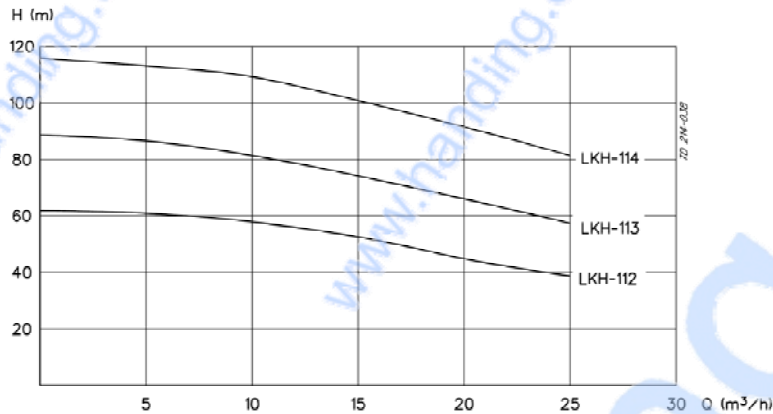


Fig. 4. Flow chart.

Connections (mm)

Sanitary version

LKH-112, -113, -114

	D ¹ 51 D ¹ 38	ISO Clamp	ISO Male	DIN Male	SMS Male	BS Male
M ¹	21	21	23	21	22	
M ²	21	21	23	21	22	

Industrial version

LKH-112, -113, -114

Size	Inlet D ¹ DIN 2642 BS 4505	Outlet D ² DIN 2642 BS 4505
LKH-112, -113, -114	NW50	NW40

Options

Equipment

- A) Special motor for inlet pressure higher than 10 bar.
- B) Motor for other voltage and/or frequency.
- C) Motor with increased safety/flame proof motor.
- D) Flushed shaft seal.
- E) Impeller with reduced diameter.
- F) Counter flanges, seal rings and bolts for flanged connections (industrial version).

Material grades

- G) Product wetted seals of Nitrile (NBR), or Fluorinated rubber (FPM).
- H) Rotating seal ring of Silicon Carbide.

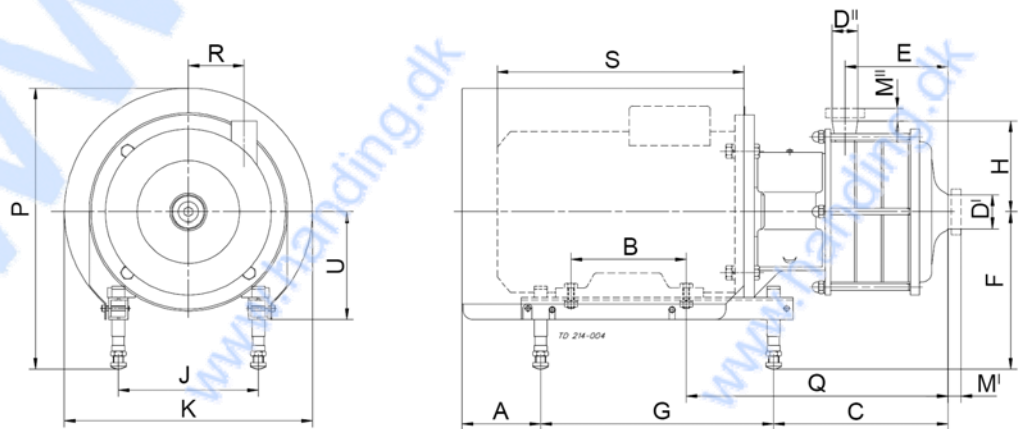
Ordering

Please state the following when ordering:

- If the inlet pressure is higher than 10 bar it is necessary to order a special version with a modified motor and a stronger backplate. Use the following designation:
 - LKH-110: Inlet pressure (0-10 bar)
 - LKH-110/P: Inlet pressure > 10 bar
- Pump size.
- Version, sanitary or industrial.
- Connections.
- Impeller diameter.
- Motor size.
- Voltage and frequency.
- Flow, pressure and temperature.
- Density and viscosity of the product.
- Options.

LKH-114

Size	Motor
	7.5 kw
A	121
B	178
C	269
E	159
F min.	184
F max.	317
G	320
H	400
J	216
K	383
P min.	376
P max.	509
Q	321
R	86
*S	381
U	166
Weight (kg)	98



Handing ApS™
 Nordkranvej 5-9, Vassingerød
 DK - 3540 Lyngge
 Tel.: +45 48160166
 www.handing.dk

Alfa Laval LKH 114 SSS

Dette dokument er vejledende.
 Der tages forbehold for fejl.
 This document is only guiding.
 We make reservation for possible errors.

Copyright © By Handing ApS. All Rights Reserved.

Alle mål i mm.
 All measures in mm.

Lager nr. /LH

PC1367