

## Technical data

Technical data	WD-6E
Wash pump (kW)	0,9
Booster heater (kW)	9/12 *
Heater tank (kW)	1,8
Tank volume (litres)	50
Weight, machine in operation (kg)	150
Degree of protection (IP)	45

\* 12 kW booster heater is optional equipment.

Capacity and operation data	WD-6E
Total time/wash program 1 (min)	1,2 **
Total time/wash program 2 (min)	1,7 **
Total time/wash program 3 (min)	3,2 **
Capacity, max. (baskets/h)	50
Basket size (mm)	500x500
Water consumption, rinse / program (litres)	4
Energy consumption (kWh of connected power)	70-90%
Sound level * (dB(A))	64
Max. surface temp. at room temp. 20°C (°C)	56-63

\* Measured 1 metre from the machine

\*\* Factory setting. The wash time is adjustable.

Connection, machine	WD-6E
Total connected power (kW)	9,9/12,9 *
Main fuse 400V 3N- (A) **	16/20 *
Max. conn. area 400V 3N- (L1-L3,N,PE) Cu (mm <sup>2</sup> )	6

\* With 12 kW booster heater (optional)

\*\* Other voltages on request.

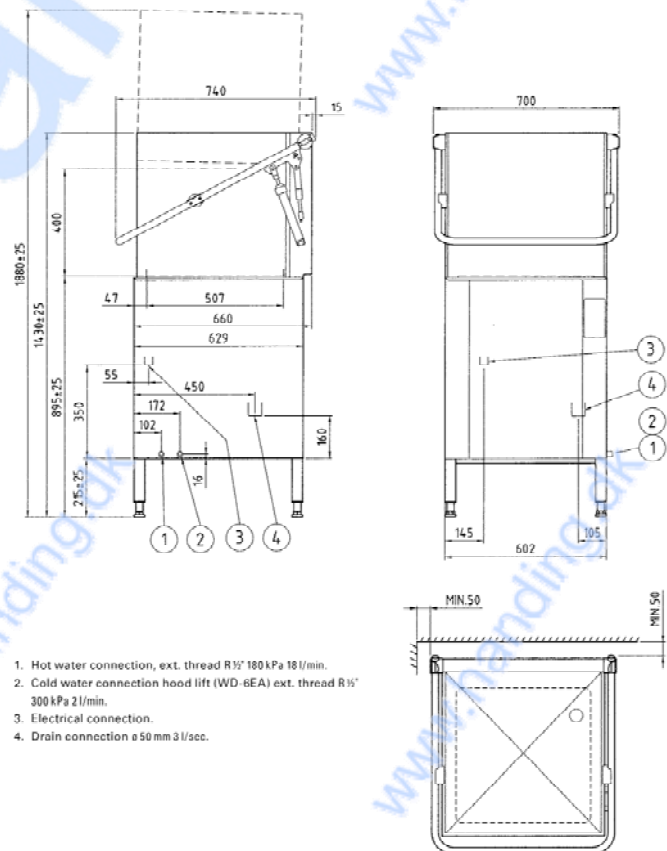
Connection water, drain and ventilation	WD-6E
Water quality, hardness (°dH)	2-7
Hot water connection 50 - 70°C (external thread)	R ½"
Cold water connection 5 - 12°C * (external thread)	R ½"
Drain connection, PP pipe (ø mm)	50
Water capacity hot water, pressure (kPa) **	180
Water capacity hot water, flow (litres/min)	18
Water capacity cold water, hood lift, pressure (kPa) **	--
Water capacity cold water, hood lift, flow (litres/min)	--
Floor drain, capacity (litres/sec)	3
Ventilation of the machine (m <sup>3</sup> /h)	600



## WD-6 Hood Type Dishwasher

- Unique hood** – the steam rises behind the machine when the hood is opened.
- Optimum wash result** through self-draining wash arms.
- Hygienic** – the machine meets the strictest hygiene requirements through the automatic control of final rinse temperature and water quantity.
- Ergonomic and efficient** due to the hood opening automatically once the wash program has finished. (EA model)
- Service-friendly** – service is normally carried out from the front of the machine.

## Dimensional drawings



**Handing ApS™**  
 Nordkranvej 5-9, Vassingerød  
 DK - 3540 Lyngby  
 Tel.: +45 48160166  
 www.handing.dk

## Wexiödisk WD-6E Opvaskemaskine

Dette dokument er vejledende.  
 Der tages forbehold for fejl.  
 This document is only guiding.  
 We make reservation for possible errors.

Copyright © By Handing ApS. All Rights Reserved.

Alle mål i mm.  
 All measures in mm.

Lager nr. /LH

**D1140**