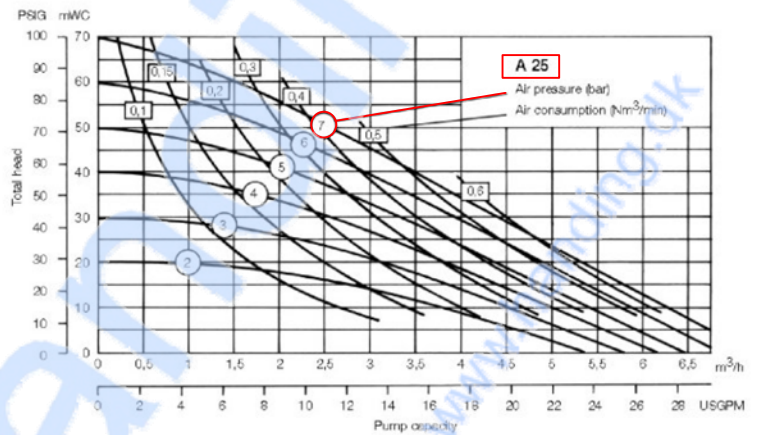
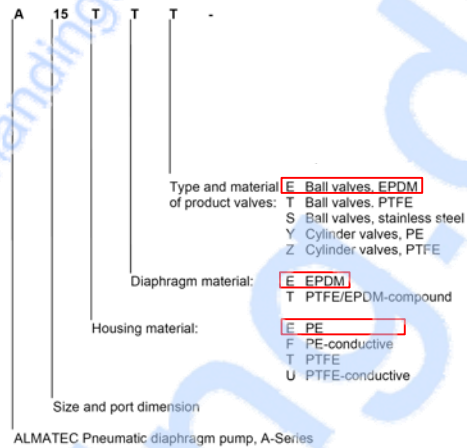


# ALMATEC®

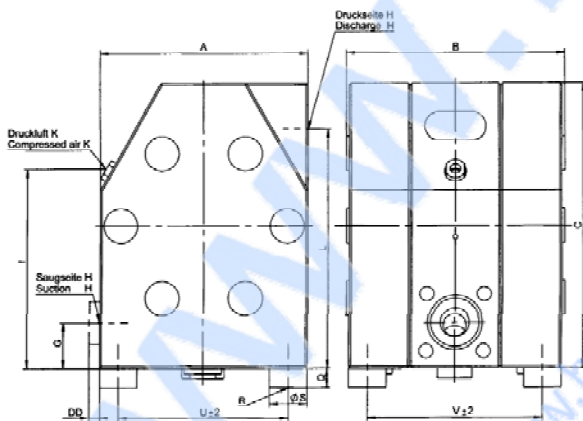
## A-Series

Technical data	A 25
Dimensions (mm): length	220
width	231
height	320
Nominal port size (NPT)	1"
Air connection	R 1/4
Weight (kg): PE	13
PTFE	25
Max. particle size of solids (mm) for pumps with ball valves	6
Suction lift, dry (mWC):	
cylinder valves	4
ball valves	3
Suction lift, wet (mWC)	9.5
Max. driving and operating pressure (bar)	7
Max. operating temperature (°C):	
PE (X)	70
PTFE (X)	120
Theoretical displacement volume per single stroke (l)	0.34
Sound pressure level acc. to DIN 45635, part 24, depending on the operating data [dB (A)]:	
driving pressure 3 bar	69-71
driving pressure 5 bar	71-75
driving pressure 7 bar	73-76

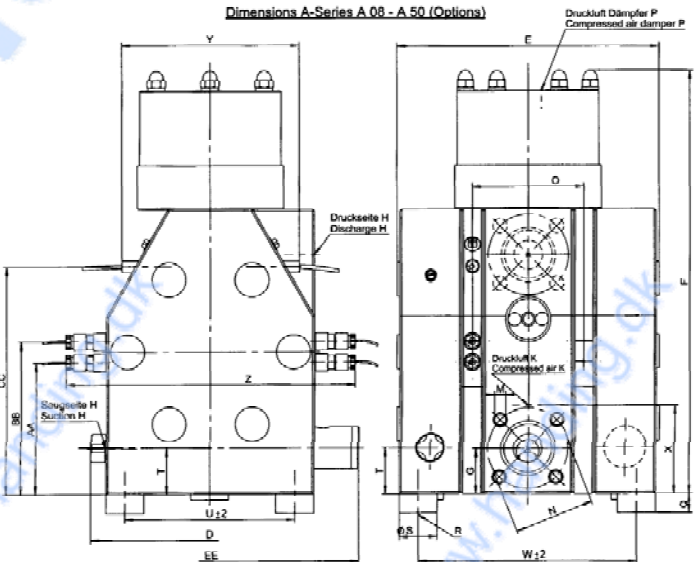
Example to clarify the ALMATEC pump code:



Maßblatt A-Serie A 08 - A 50 (Standard)  
Dimensions A-Series A 08 - A 50 (Standard)



Maßblatt A-Serie A 00 - A 50 (Sonderausstattungen)  
Dimensions A-Series A 08 - A 50 (Options)



	A	B	C	D	E	F	G	H	I	K	L	M	N	O	P	Q	R	S	T	U	V	W	X	Y	Z	AA	BB	CC	DD	EE
A 25	220	231	300	252	277	447	48	NPT 1"	207	R 1/4"	252	M 12	85	118	R 1/8"	20	M 8	40	49	180	185	231	93	188	306	139	161	240	11	316



**Handing ApS™**  
Nordkranvej 5-9, Vassingerød  
DK - 3540 Lyngby  
Tel.: +45 48160166  
www.handing.dk

## ALMATEC Type A 25 EEE

Dette dokument er vejledende.  
Der tages forbehold for fejl.  
This document is only guiding.  
We make reservation for possible errors.

Copyright © By Handing ApS. All Rights Reserved.

Alle mål i mm.  
All measures in mm.

Lager nr. /LH

**P335**