

PRECISE AND USER-FRIENDLY DME Digital Dosing pumps up to 940 l/h

General

Dosing is precision work, Digital Dosing represents state-of-the-art technology. Grundfos DME Digital Dosing pumps combine perfect precision with user-friendliness, covering large dosing quantities in the range from 375 l/h to 940 l/h with few variants.

Familiar Digital Dosing benefits

The DME pump range has all the benefits of the highly acclaimed smaller Digital Dosing range, making accurate dosing easier than ever.

Precise and easy setting

The operator can easily install and set the pump to dose exactly the quantity of dosing medium required in the application. In the display, the setting of the pump is read out directly in ml/h or l/h, pulse or batch, and the operation mode is easily identified by means of icons.

Turndown ratio 1:800

With a turndown ratio ten times better than that of traditional equipment, DME Digital Dosing pumps offer maximum flexibility and accuracy.

Turndown of the suction stroke to 75 %, 50 % or 25 % of the maximum speed ensures optimal priming and displacement of even the most difficult liquids.

Unique technology

A unique drive and microprocessor control ensure that the medium is dosed precisely and with low pulsation, even if the pump is operating with high-viscosity or degassing media. Instead of the conventional stroke-length adjustment, the capacity of the DME is regulated by automatic adjustment of the motor speed during the discharge stroke and by fixed suction stroke speed, ensuring optimal and uniform mixing.

Fieldbus communication

Available with Profibus interface to supply performance data and status information for quality control, preventive maintenance and future reference.

Overload protection

Built-in overload protection monitors the counterpressure of the pump and protects it against too high pressure loads.

Switch-mode power supply

The switch-mode power supply makes sure that Grundfos DME Digital Dosing pumps can be used worldwide within the 100-240 VAC – 50/60 Hz range.

Several material variants

The dosing heads of DME pumps are available in stainless steel, polyvinylidene fluoride and recyclable, degradable, cost-efficient polypropylene.

Applications

- Pulp and paper industry
- Textile industry
- Food and beverage industry
- Industrial process water and waste water treatment
- Drinking water treatment



Handing ApS™
Nordkranvej 5-9, Vassingerød
DK - 3540 Lyngø
Tel.: +45 48160166
www.handing.dk

Doseringspumpe Grundfos Type DME940-4AR-PP

Dette dokument er vejledende.
Der tages forbehold for fejl.
This document is only guiding.
We make reservation for possible errors.

Copyright © By Handing ApS. All Rights Reserved.

Alle mål i mm.
All measures in mm.

Lager nr. /LH

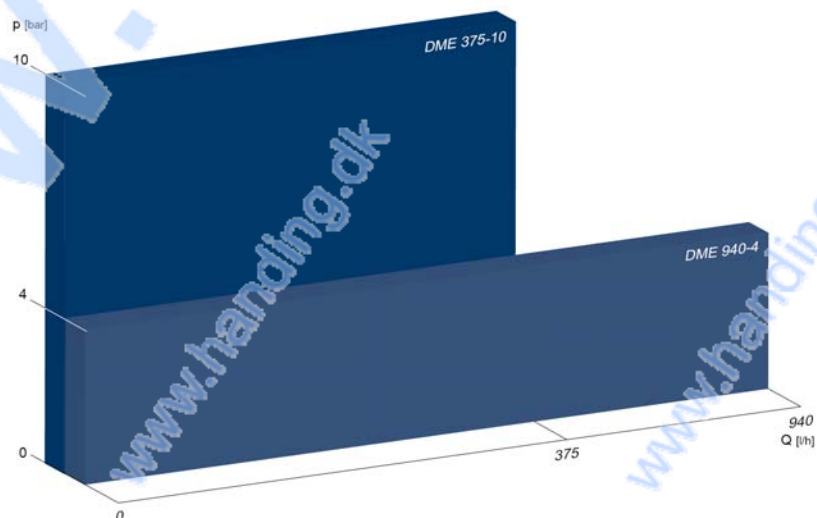
P336

Technical data

Pump type			DME 940
Mechanical data	Max. capacity	[l/h]	940
	Max. capacity with anti-cavitation 75 %*	[l/h]	705
	Max. capacity with anti-cavitation 50%*	[l/h]	525
	Max. capacity with anti-cavitation 25 %*	[l/h]	252
	Max. pressure	[bar]	4
	Max. stroke frequency	[strokes/min]	160
	Max. suction lift during operation	[m]	6
	Liquid temperature	[°C]	0 to 50
	Ambient temperature	[°C]	0 to 45
	Accuracy of repeatability	[%]	± 1
Electrical data	Supply voltage	[VAC]	1 x 100-240 V, 50/60 Hz
	Max. current consumption at 100 V	[A]	2.4
	Max. current consumption at 230 V	[A]	1.0
	Max. power consumption P ₁	[W]	240
	Enclosure class		IP65
	Insulation class		B
Signal output	Max. load of alarm relay output (at ohmic load)	[A]	2
	Max. voltage, alarm relay output	[V]	42
Signal input	Voltage in level sensor input	[VDC]	5
	Voltage in pulse input	[VDC]	5
	Min. pulse-repetition period	[ms]	3.3
	Impedance in analog 0/4-20 mA input	[Ω]	250
	Max. loop resistance in pulse signal circuit	[Ω]	250
Weight	[kg]		22.5
Sound pressure level	Max. sound pressure level	[dB(A)]	70

* Irrespective of the counterpressure

Performance range



Handing ApS™
 Nordkranvej 5-9, Vassingerød
 DK - 3540 Lyngge
 Tel.: +45 48160166
 www.handing.dk

Doseringspumpe Grundfos Type DME940-4AR-PP

Dette dokument er vejledende.
 Der tages forbehold for fejl.
 This document is only guiding.
 We make reservation for possible errors.
 Copyright © By Handing ApS. All Rights Reserved.

Alle mål i mm.
 All measures in mm.

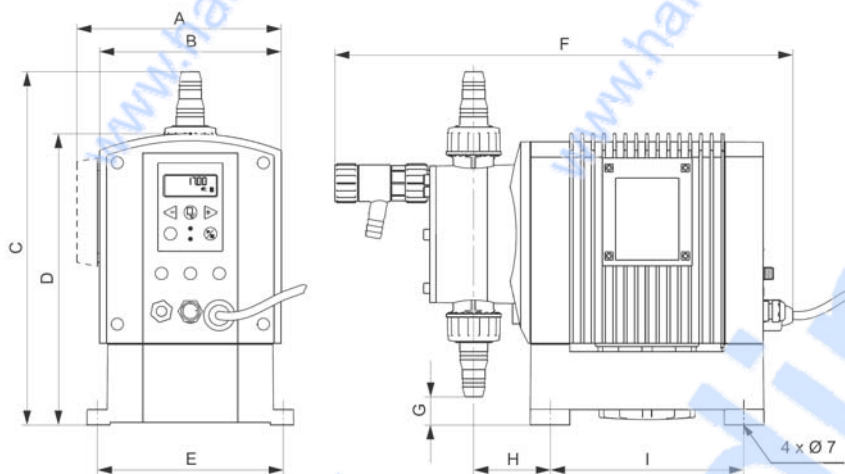
Lager nr. /LH

P336



Type DME 940 – 4 AR - PP

Dimensions



DME 940	
A = [mm]	238
B = [mm]	218
C = [mm]	496
D = [mm]	364
E = [mm]	230
F = [mm]	539
G = [mm]	6
H = [mm]	95
I = [mm]	246

2.3 Identifikation

2.3.1 Typenøgle

(Kan ikke anvendes til pumpekonfigurering.)

DME 940 4 AR PP E G F 3 1 A2 F

Kode Eksempel DME 60 - 10 AR - PP/ E/ C - F - 3 1 1 F

Pumpeserie:	
Maks. kapacitet [l/h]:	60 150 375 940
Maks. tryk [bar]:	4 10
Styringsvariant:	AR Standard AP Standard + Profibus
Pumpehovedmateriale:	PP Polypropylen PV PVDF SS Rustfrit stål 1.4401
Pakningsmateriale:	E EPDM I PTFE V FKM
Ventilkuglemateriale:	C Keramik G Glas SS Rustfrit stål 1.4401 T PTFE
Betjeningspanel:	F Frontmonteret S Sidemonteret
Spænding:	3 1 x 100-240 V 50/60 Hz
Ventiler:	1 Standardventil 2 Federbelastet ventil
Tilslutning, suge-/trykside:	A1 Gvind Rp 3/4 A2 Gvind Rp 1 1/2 Q Slange 19/27 mm + 25/34 mm
Netstik:	F EU (Schuko) G UK I AU B USA J JP E CH L Argentina



Handing ApS™
Nordkranvej 5-9, Vassingerød
DK - 3540 Lyngø
Tel.: +45 48160166
www.handing.dk

Doseringspumpe Grundfos Type DME940-4AR-PP

Alle mål i mm.
All measures in mm.

Dette dokument er vejledende.
Der tages forbehold for fejl.
This document is only guiding.
We make reservation for possible errors.

Copyright © By Handing ApS. All Rights Reserved.

Lager nr. /LH

P336