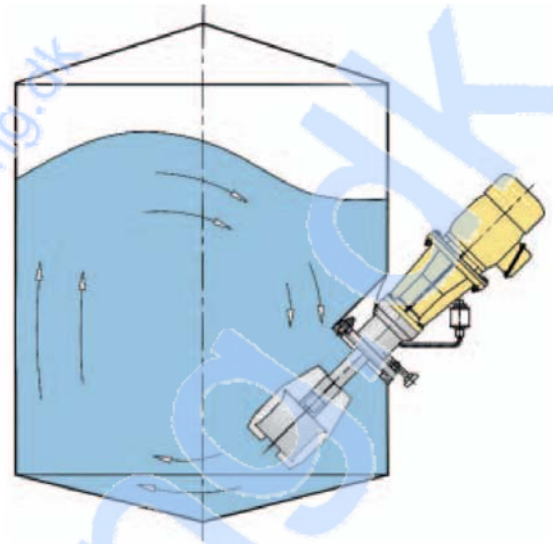


# YTRON - Y



Model	IV
Power (kW)	2.20...22.00
Rotor Ø (mm)	100...330
Rotor speed (1/min)	500...3,000
Process	Batch/Conti
ByPass Ø max. (mm)	100

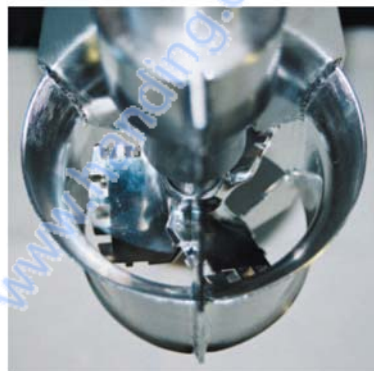
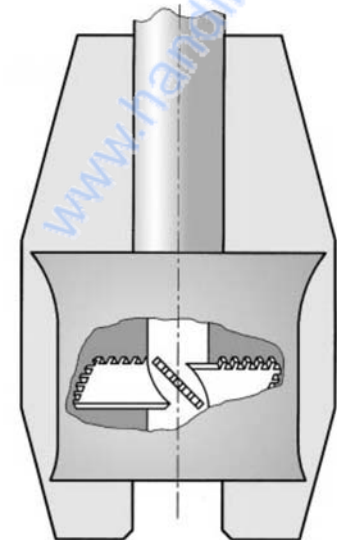


A side entry installation below the liquid level makes the YTRON-Y suitable for vertical cylindrical tanks with more than 10 metres height. Even in this case an additional bearing in the immersed section is not required.

Side-entry in closed vessel.  
Design with tank flange.  
CIP and SIP option available

- Construction without bearings or seals in the product area
- Pure axial flow jet stream
- No sedimentation, no vortexing
- Homogenous mixing
- Uniform flow pattern over the entire surface of the container
- Shaft protected by the stator tube, the rotor covered by the stator. This means the operator is not exposed to rotating parts

One important point: The HS-rotor is available as a spare part for existing YTRON-Y units. Please let us have your machine number to receive a quote.



**Handing ApS™**  
Nordkranvej 5-9, Vassingerød  
DK - 3540 Lyngø  
Tel.: +45 48160166  
[www.handing.dk](http://www.handing.dk)

## YTRON Y Model IV

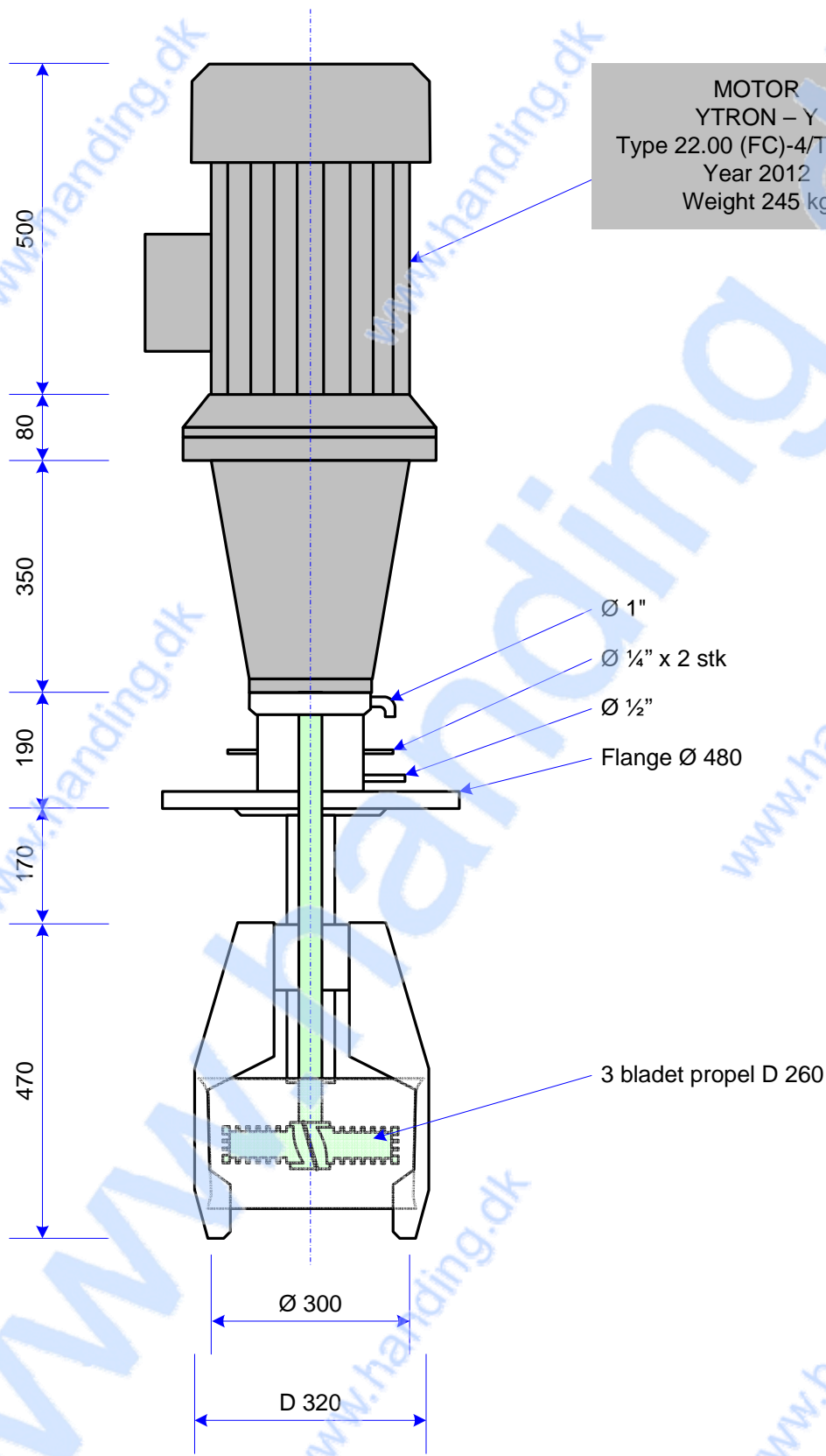
Dette dokument er vejledende.  
Der tages forbehold for fejl.  
This document is only guiding.  
We make reservation for possible errors.

Copyright © By Handing ApS. All Rights Reserved.

Alle mål i mm.  
All measures in mm.

Lager nr. /LH

**R1155**



MOTOR  
 YTRON – Y  
 Type 22.00 (FC)-4/TT10-IV  
 Year 2012  
 Weight 245 kg

- Ø 1"
- Ø ¼" x 2 stk
- Ø ½"
- Flange Ø 480

3 bladet propel D 260



**Handing ApS™**  
 Nordkranvej 5-9, Vassingerød  
 DK - 3540 Lyngø  
 Tel.: +45 48160166  
 www.handing.dk

**YTRON Y  
 Model IV**

Dette dokument er vejledende.  
 Der tages forbehold for fejl.  
 This document is only guiding.  
 We make reservation for possible errors.

Copyright © By Handing ApS. All Rights Reserved.

Alle mål i mm.  
 All measures in mm.

Lager nr. /LH

**R1155**