

CONTIFLOW 250 - W



Infeed hopper and vane-pump section are angle-mounted with separate drives on each unit. Specially designed for pumping of deaerated products.

Basic Construction:

Stainless steel 18/8
ASTM 304 – Werkstoff 1.4301

Capacity:

4-20 m³/hour

Transmission:

Electric geared motor with chain drive for infeed worm. Electric motor with V-belt transmission to planetary gear drive for pump unit.

Electrical Data:

Infeed Worm:

2.2 kW, 1500 rpm, 50 c/s
2.2 kW, 1800 rpm, 60 c/s

Pump unit:

11 kW, 1500 rpm, 50 c/s
11 kW, 1800 rpm, 60 c/s

Voltage:

3-phase + earth
220-230-380-415 or 440 Volts

Control Voltage:

24 Volts



Handing ApS

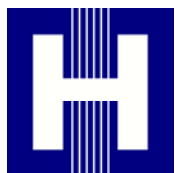
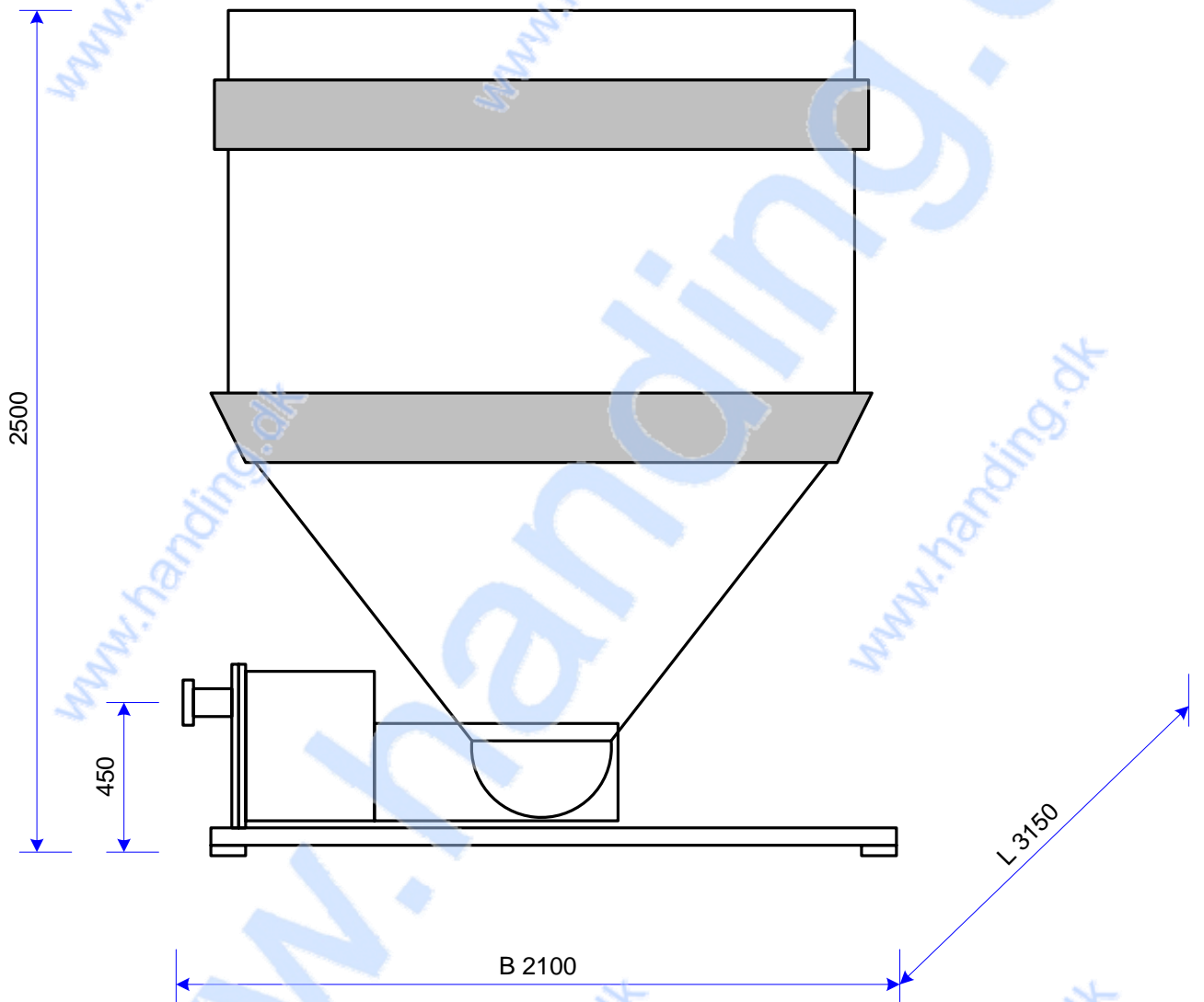
Nordkranvej 5-9, Vassingerød
DK - 3540 Lyngø
Tel.: +45 48160166
www.handing.dk

Wolfking 4.000 Liter Heavy Duty Pumpe ContiFlow 250-W

Dette dokument er vejledende
Der tages forbehold for fejl.
This document is only guiding.
We make reservation for possible errors

Alle mål i mm.
Measures in mm

Lager nr. /sj
D314



Handing ApS™
 Nordkranvej 5-9, Vassingerød
 DK - 3540 Lyngby
 Tel.: +45 48160166
 www.handing.dk

Wolfking silo
4.000 liter

Dette dokument er vejledende.
 Der tages forbehold for fejl.
 This document is only guiding.
 We make reservation for possible errors.
 Copyright © By Handing ApS. All Rights Reserved.

Alle mål i mm.
 All measures in mm.

Lager nr. /NNJ

D314