

## MATERIAL CODES

### MODEL

KCS = Flat Pack (pump only)

KCG = Pump and Gear Reducer

Note: The Flat Pack version is pump only and doesn't include the gear reducer.

### PUMP SIZE

10 = 10mm (3/8") Barbed Inlet/Discharge

20 = 19mm (3/4") Barbed Inlet/Discharge

25 = 25mm (1") Flanged Inlet/Discharge

40 = 40mm (1-1/2") Flanged Inlet/Discharge

X40 = 40mm (1-1/2") Flanged Inlet/Discharge

65 = 65mm (2-1/2") Flanged Inlet/Discharge

Note: The difference between the KC40 and the KCX40 is that the KCX40 provides a greater flow rate than the KC40 model.

### ATEX

X = ATEX

Z = Non-ATEX

### CONNECTION TYPE

A = Barbed Hose

B = ANSI Flange

C = PN16 Flange

Note: KC10 & KC20 pumps are available with barb type hose connections ONLY. KC25 through KC65 pumps are available with flange connections ONLY.

### HOSE MATERIAL

NR = Natural Rubber

BN = Buna-N

EP = EPDM

### SHOE MATERIAL

A = Aluminum

C = Cast Iron

Note: The shoe and wheel fitted to the KC10 and KC20 are molded as one component and are only available in cast iron. The shoe and wheel fitted to the KC25 through KC65 are separate components and available in aluminum or cast iron.

### FLANGE INSERT MATERIAL

P = Polypropylene

K = PVDF

S = Stainless Steel

### GEAR REDUCER TYPE

A = Designed to accept NEMA motors

D = Designed to accept IEC motors

Z = No Gear Reducer (KCS Model)

### VACUUM KIT

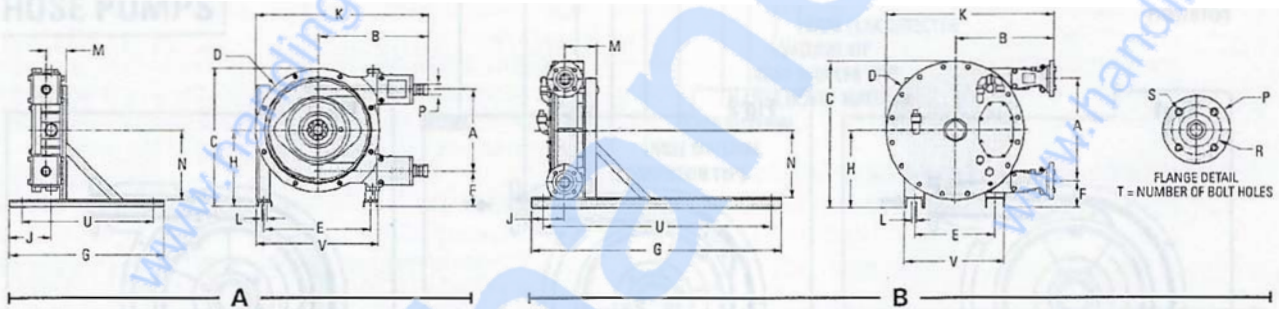
A = Consult factory for models prepared to accept vacuum kit (only available on 25mm (1") through 65mm (2-1/2"))

Z = No Vacuum Kit

### HOSE LEAK DETECTOR

A = Includes Leak Detector

Z = No Leak Detector



## DIMENSIONS (millimeters)

PUMP	A	B	C	D	E	F	G	H	J	K	L	M	N	P	R	S	T	U	V
KCS40 PN16 (DIN)	330	383	524	Ø476	315	121	760	286	179	621	Ø15	74	256	Ø150	Ø110	Ø18	4	660	375

MODEL	Max. Viscosity At 10 RPM	Max. Flow Rate Continuous Duty m³/h (gpm)	Max. Flow Rate (Intermittent Duty) m³/h (gpm)
KCS40 - KCG40	25000 cps	4.65 (20.47)	7.23 (31.83)



**Handing ApS™**  
 Nordkranvej 5-9, Vassingerød  
 DK - 3540 Lyngby  
 Tel.: +45 48160166  
 www.handing.dk

## WILDEN Type KCS 40-Z-CNRA-SZZZ

Dette dokument er vejledende.  
 Der tages forbehold for fejl.  
 This document is only guiding.  
 We make reservation for possible errors.  
 Copyright © By Handing ApS. All Rights Reserved.

Alle mål i mm.  
 All measures in mm.

Lager nr. /LH

**P339**