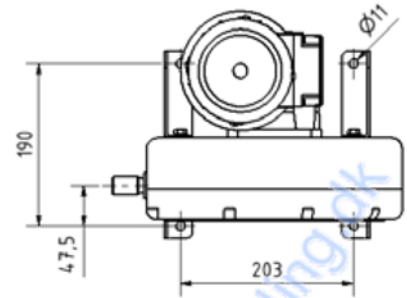
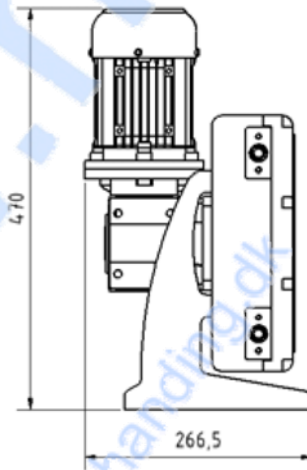
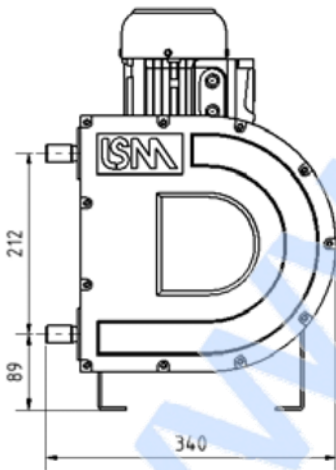


LSM15

TECHNICAL DATA SHEET

TECHNICAL DATA LSM15:

- **Nominal flowrate:** 5,5 l/min
- **Nominal pressure:** 5 bar (0,25 kW motor)
- **Max. Pressure:** 10 bar
- **Connection:** MALE 1/2" BSP
- **Weight:** Approx. 25 kg / 55 lbs
- Angle gearbox and motor is selected for the specific pressure and flowrate needed.
- Optional with Variable Frequency Drive.
- High vacuum possible, suction lifts up to 8m. (Above 4m lifting height, vacuum is applied to the pump housing to improve efficiency.)
- Low friction rollers
- Polyurethane housing



Handing ApS™
Nordkranvej 5-9, Vassingerød
DK - 3540 Lyngø
Tel.: +45 48160166
www.handing.dk

LSM Type 15 SC

Dette dokument er vejledende.
Der tages forbehold for fejl.
This document is only guiding.
We make reservation for possible errors.

Copyright © By Handing ApS. All Rights Reserved.

Alle mål i mm.
All measures in mm.

Lager nr. /LH

P340