

Labotek

Power in Plastics

Mini-Feed Series

Introduction

The Mini-Feed is used for automatic conveyance of free-flowing, granule-formed raw material (min. grain size of 3 mm).

The compact design makes the Mini-Feed suitable for mounting on all minor and medium sized production units. Especially where weight and size of the conveyor is of crucial importance.

The Mini-Feed is constructed in stainless steel to ensure a long lifetime and minimize cleaning.

Mini-Feed series offers...

- Compact, functional design, easy to clean
- Conveyance of 15 to 120 kg/h
- Low noise level <69 dB
- Alarm function for material shortage
- All material contact points in stainless steel, AISI 304
- Proportioning valve, optional
- Max. conveyed material temperature up to 80°C
- Up to 3 years warranty, excluding wear parts

Mini-Feed is equipped with a gravimetric filter which by help of vacuum is sucked up below the motor house. The filter falls down and is cleaned when the vacuum disappears. The bottom flap is mounted with a magnet for position marking, is weight-loaded and is flexible suspended to hopper outlet. This implies that adjustments of the bottom flap are not necessary. A compressed air filter cleaning kit is fitted to Mini-Feed 120 BL as standard, however is optional for Mini-Feed 15-60.

Type	Mini-Feed 15
Supply Voltage	220-240 V 50/60 Hz
Power consumption [kW]	1.0
Compressed air connection [Bar]	5-7
Motor power [kW]	0.8
Volume [liters]	1.9
Capacity* [kg/h]	15
Noise level [dBA]	<69
Max. room temperature [°C]	35
Conveying hose, inner Ø [mm] / length [m]	32 / 3
Suction probe, inner Ø [mm] / [pcs]	32 / 1
Supply cable [m]	5
Net weight [kg]	8.4
Shipping volume [m ³]	0.12
Shipping dimensions [mm]	86 x 42 x 32

Dimensions

Dimensions	A	B	C	D	E
Mini-Feed 15	203	451	172	Ø 32	290



Alarms

E1. Excess temperature motor >65°C. The alarm is indicated on display, on alarm lamp, and the machine will stop.

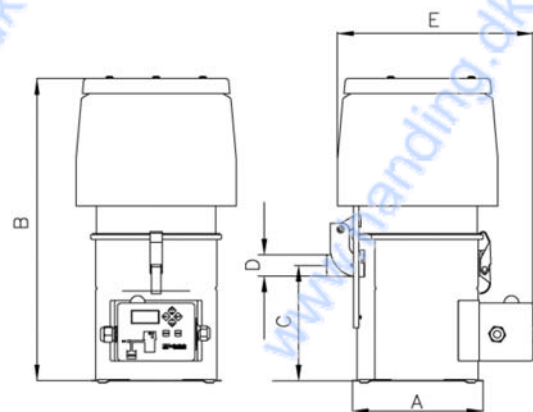
E2. Error function in motor (brush*, cable connection parts, etc.). The alarm is shown in display, or alarm lamp, and the machine will stop.

*) Only Mini-Feed 15-60

Conveying alarm

If the Mini-Feed has performed more conveying cycles without additional material, it will go into conveying alarm.

Alarm lamp flashes and Mini-Feed retains a compulsory pause of 10 minutes, after which renewed conveying is attempted.



Handing ApS™
 Nordkranvej 5-9, Vassingerød
 DK - 3540 Lyngge
 Tel.: +45 48160166
 www.handing.dk

Labotek Mini-Feed Type MF15

Dette dokument er vejledende.
 Der tages forbehold for fejl.
 This document is only guiding.
 We make reservation for possible errors.

Copyright © By Handing ApS. All Rights Reserved.

Alle mål i mm.
 All measures in mm.

Lager nr. /LH

D1145